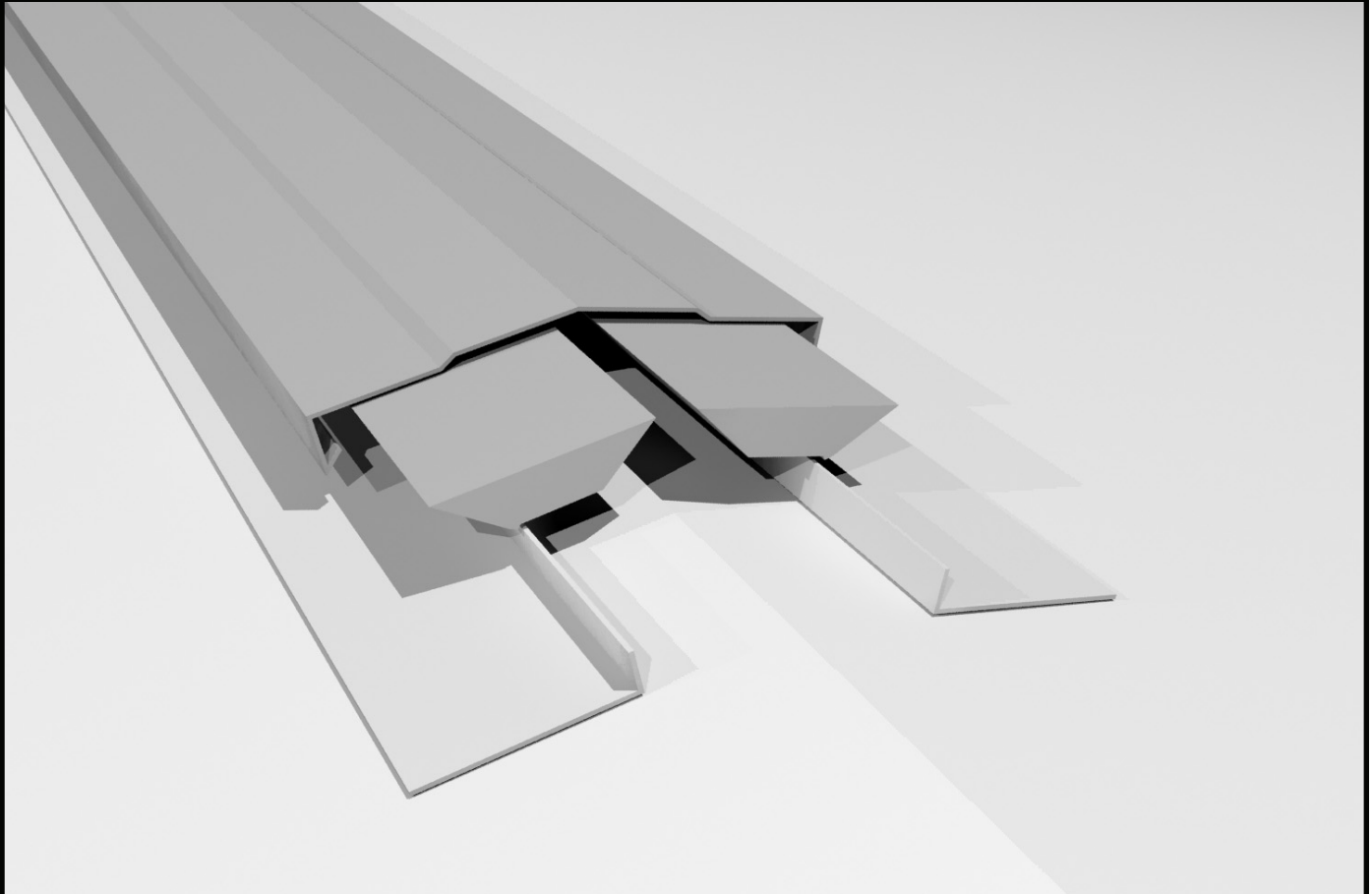


# LOW PROFILE RIDGE VENTILATOR



## SPECIFICATIONS

**Low Profile Floating Ridge Vents ...featuring Cor-A-Vent® ventilation core is designed specifically for architectural standing-seam retrofit applications and some residential applications where maximum ventilation is required in an attractive, very low-profile unit.**

- **CONSTRUCTION:**

- Unit is factory assembled and ready for installation.
- Vent features the Cor-A-Vent® ventilation core - a time-tested, economical, self-cleaning and durable core which has been in service since 1970.
- Steel parts are 24 gauge Galvanized or Galvalume™

- **DESIGN:**

- Aerodynamic, low-profile design enhances the looks and performance of architectural roof systems.
- The unit moves toward the ridge on floating roofs.
- Fabricated to match roof slope.

- **FINISH:**

Mill Finish Galvalume™, Pre-Coated or Baked Enamel Finish applied to match most metal building colors.

- **STANDARD SIZES:**

- Each ten-foot unit features 180 square inches of free area with a base rating of 450 cfm's of air movement.
- Throat size is determined by roof pitch.

- **OPTIONS:**

- Die-Formed Skirt available for standard "R" panel.
- Special lengths other than ten feet available.

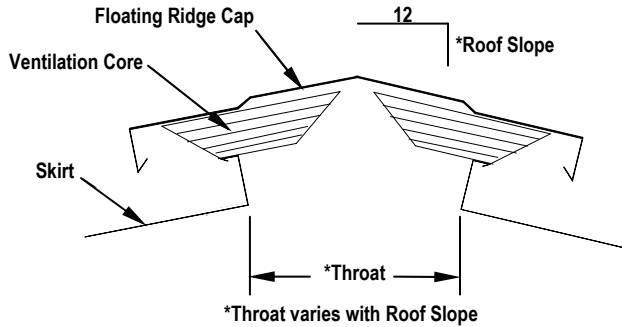


**CALL FOR CURRENT PRICING**

**DESIGN COMPONENTS, INC.** Serving the Metal Building Industry since 1978

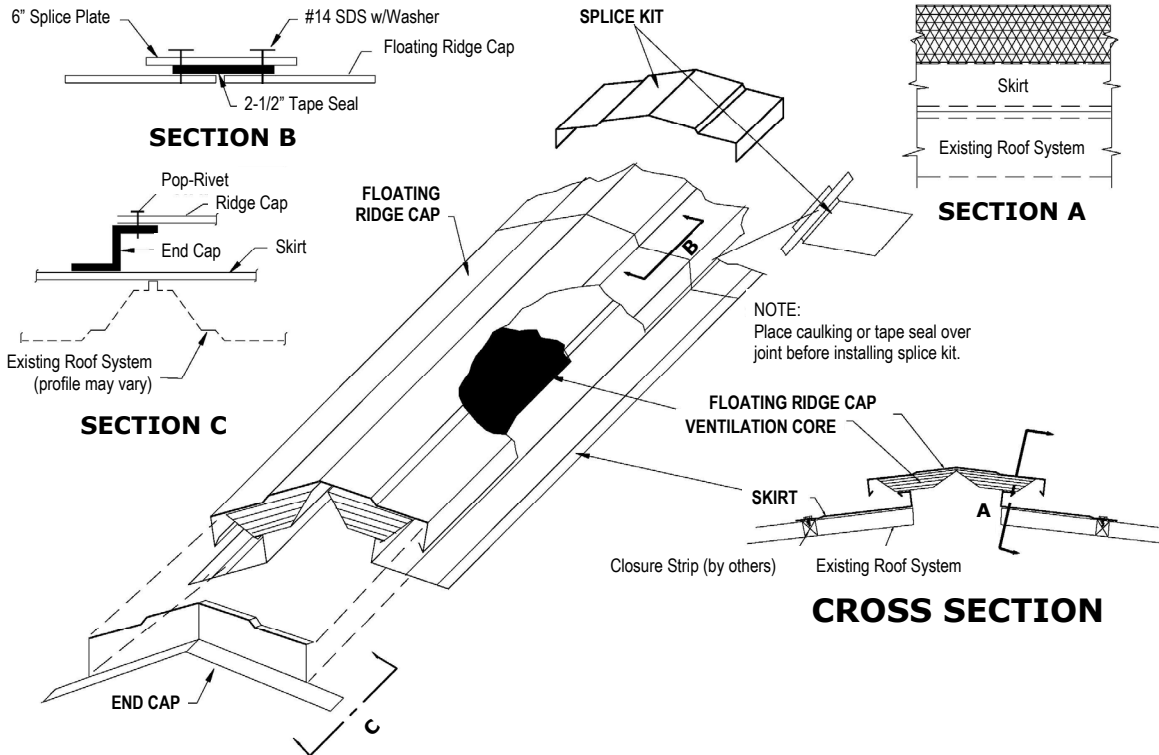
115 Walter Way	Fayetteville, GA 30214	email: sales@designcomponents.com
PH (800) 868-9910	FX (770) 460-7872	website: www.designcomponents.com

# LOW-PROFILE VENTILATOR TECHNICAL DATA



THROAT SIZE (determined by roof pitch)			
PITCH	THROAT	PITCH	THROAT
1:12	6-1/2"	7:12	4-1/8"
2:12	6-1/8"	8:12	3-1/2"
3:12	5-5/8"	9:12	3"
4:12	5-1/4"	10:12	2-1/2"
5:12	4-7/8"	11:12	2-1/8"
6:12	4-5/8"	12:12	1-3/4"

## VENT INSTALLATION



## PERFORMANCE DATA

TABLE A Air Movement per Lineal Foot Factors						
HEIGHT IN FEET	Temperature Difference					
	5°	10°	15°	20°	25°	30°
10	16.65A	22.05A	26.10A	28.80A	31.50A	34.20A
15	18.90A	27.00A	31.95A	36.00A	38.70A	41.40B
20	23.85A	31.50A	36.45A	41.40A	44.50B	48.15B
25	26.10A	34.65A	40.05A	45.00B	48.60B	53.10C
30	28.35A	37.35A	43.65B	48.60B	52.65C	57.60C
35	29.70A	39.15B	45.90B	51.30B	55.80C	60.75C
40	31.50B	41.85B	48.60B	54.90C	58.50C	63.45C
45	33.30B	43.20B	50.40B	57.60C	62.10C	66.60C
50	34.65B	45.45B	53.10C	59.85C	64.80C	70.20D

TABLE B Wind Velocity Factors				
WIND MPH	Factors			
	A	B	C	D
3	16.65A	22.05A	26.10A	28.80A
5	18.90A	27.00A	31.95A	36.00A
7	23.85A	31.50A	36.45A	41.40A
9	26.10A	34.65A	40.05A	45.00B
11	28.35A	37.35A	43.65B	48.60B

TOTAL CFM = (Table A) x (TABLE B) x Length



**DESIGN COMPONENTS, INC.** Serving The Metal Building Industry Since 1978

115 Walter Way	Fayetteville, GA 30214	email: sales@designcomponents.com
PH (800) 868-9910	FX (770) 460-7872	website: www.designcomponents.com