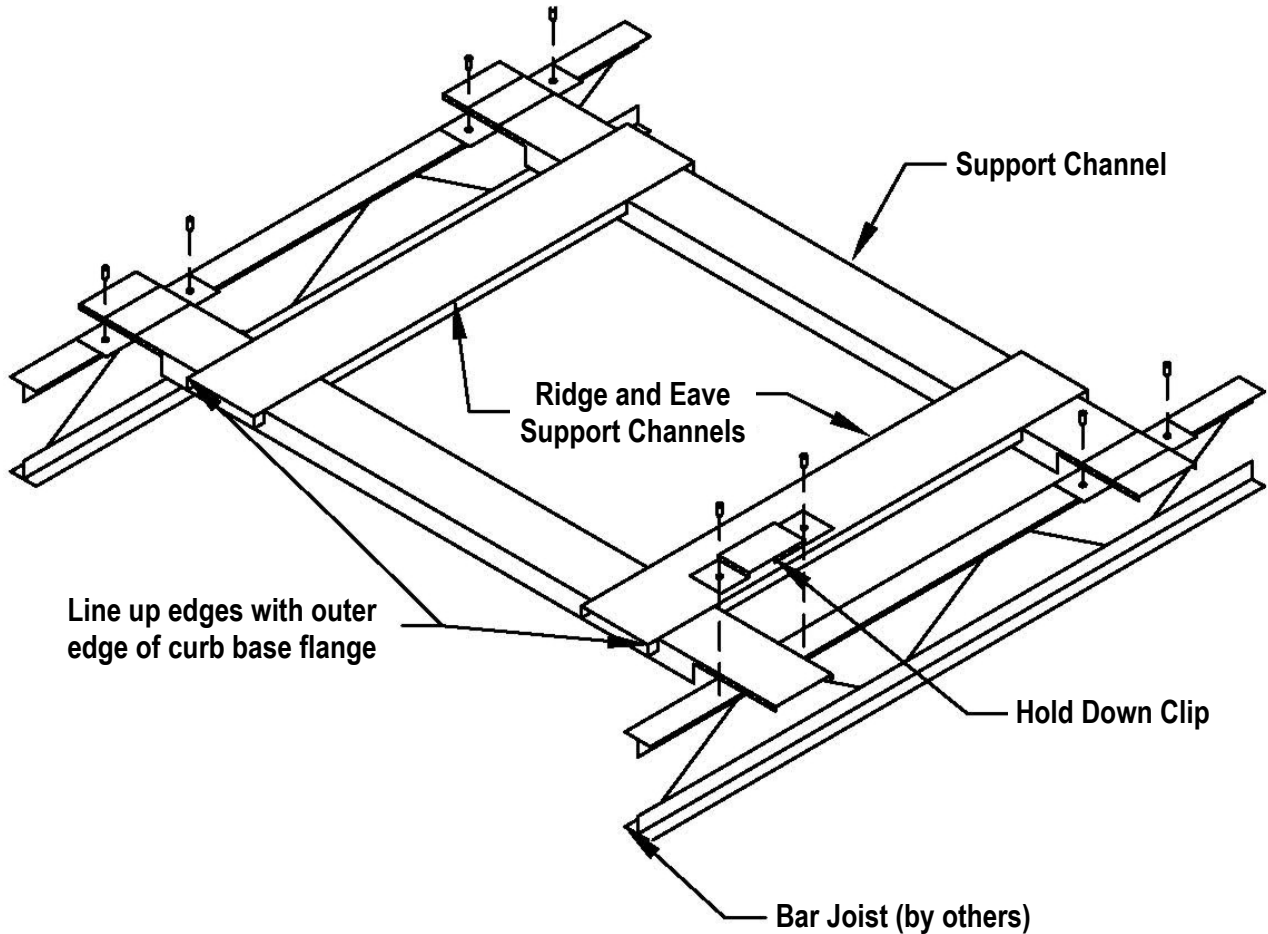


ROOF CURB FLOATING SUPPORT



FEATURES

Quick & Easy Assembly

Available in 12ga or 14ga Galvanized Steel

Provides Structural Integrity

High Wind Uplift Resistance

Attaches Directly to Purlins or Joists

Expands & Contracts with Roof System

DESIGNED FOR A STANDING SEAM ROOF SYSTEM

CALL FOR CURRENT PRICING



DESIGN COMPONENTS, INC. Serving the Metal Building Industry since 1978

115 Walter Way

Fayetteville, GA 30214

email: sales@designcomponents.com

PH (800) 868-9910

FX (770) 460-7872

website: www.designcomponents.com