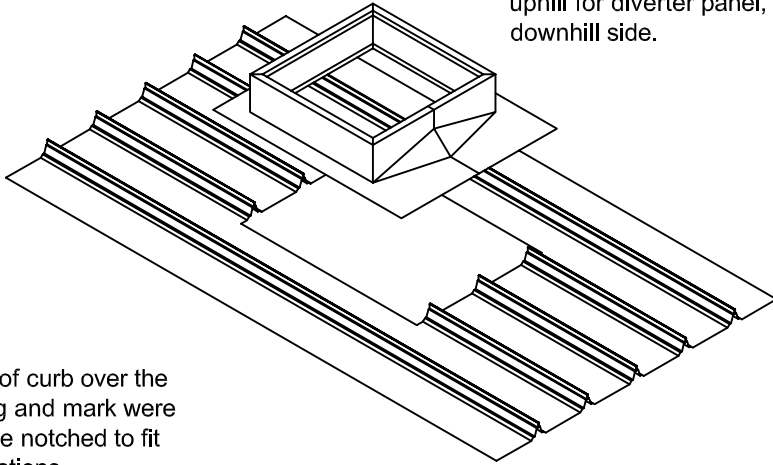


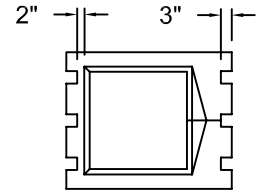
(1.) See sub framing installation instructions before installing metal building roof curb.



(3.) Align roof curb over the roof opening and mark where curb must be notched to fit over corrugations.

(2.) Using ribs as guide, layout, mark, and cut roof openings on completed roof deck, using outside curb width by outside curb length, plus 8" uphill for diverter panel, and 2" downhill side.

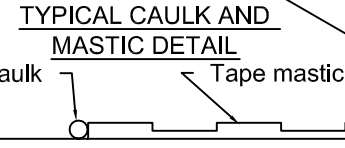
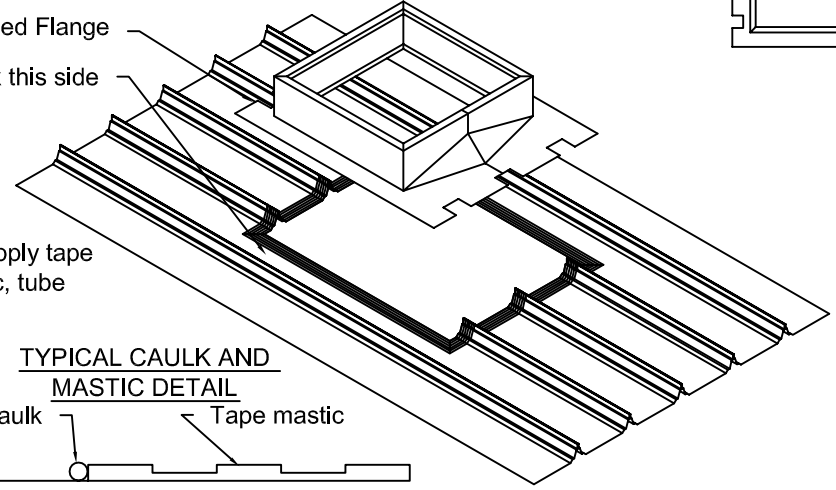
(4.) Notch curb flange for attachment of loose rib covers. On down hill side, notch to within 2" of the curb wall. On the diverter side, make your notch 3" deep.



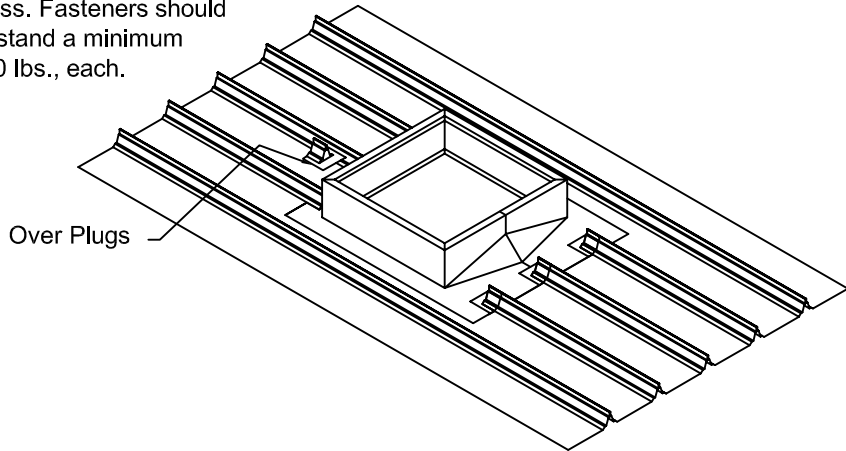
Notched Flange

Caulk this side

(5.) Apply tape mastic, tube caulk.



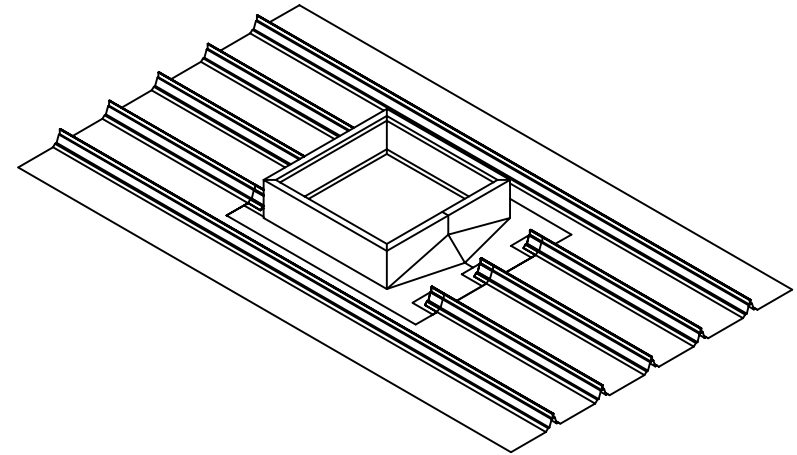
(6.) Press the curb in place on the roof deck. Fasten curb to sub framing through roof curb flange and roof deck using suitable fasteners. Use a minimum of (4) fasteners per side spaced on 3" centers or less. Fasteners should withstand a minimum #150 lbs., each.



Over Plugs

(7.) Apply tape mastic and tube caulk around the flange of the over plugs. Then attach the plugs to the panel ribs.

COMPLETED INSTALLATION



CPM-1(1 PIECE) OVER/OVER INSTALLATION INSTRUCTIONS