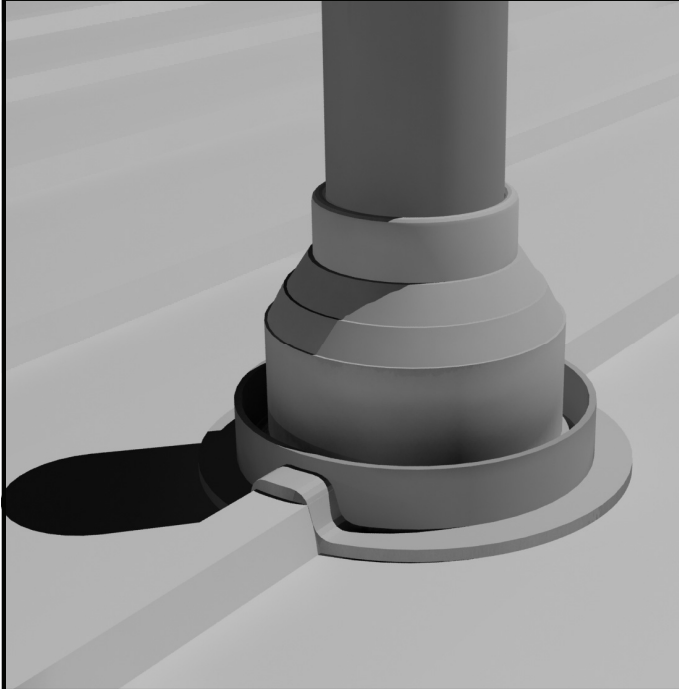
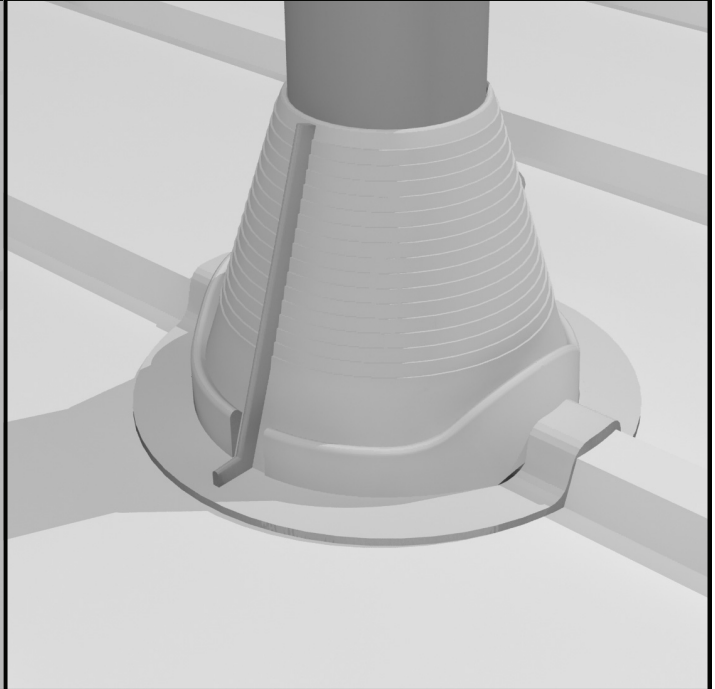


# PIPE FLASHINGS



**STANDARD FLASHING**



**RETRO-FIT FLASHING**

## FEATURES

- **CONSTRUCTION:**

- Made of a long life, flexible, weatherproof EPDM Rubber (Ethylene Propylene Diene Monomer) compound to give maximum weatherability and resistance to ozone and ultra-violet light.
- 20 year life expectancy using manufacturer's recommended accessories and installation procedures.

- **DESIGN:**

- Pleated rubber cone conforms to most any roof pitch and panel configuration.
- Allows pipe vibration by isolating movement of pipe caused by expansion and contraction of roof.
- Won't crack or break.
- Approved by all major Metal Building Manufacturers.

- **HEAT RESISTANCE:**

- Standard Flashing:     – 30° F to 250° F
- Silicone Flashing:       – 30° F to 350° F

- **FINISH:**

- Gray for Standard and Retro-Fit.
- Autumn Red for High Temperature Silicone.

- **STANDARD SIZES:**

- Up to (10) sizes for pipes with a range from 1/8" to 18" outside diameter.
- Retro-Fit has (3) sizes for pipes with a range from 3/4" to 10" outside diameter.

- **INSTALLATION:**

- Can be attached to Steel, Aluminum, Copper, Plastic, Fiberglass or Wood.
- Installs in under 10 minutes in five easy steps with no special tools required.

- **OPTIONS:**

- Retro-Fit flashing allows flashing to be fitted around pipe instead of over top using Type 302 Stainless Steel joiner clips running down the cone.



**CALL FOR CURRENT PRICING**

**DESIGN COMPONENTS, INC.** Serving The Metal Building Industry Since 1978

115 Walter Way	Fayetteville, GA 30214	email: sales@designcomponents.com
PH (800) 868-9910	FX (770) 460-7872	website: www.designcomponents.com

# PIPE FLASHING TECHNICAL DATA

## PERFORMANCE DATA

ASTM METHOD	TEST DESCRIPTION	SPECIFICATIONS	RESULTS
D412	Tensile Strength (min. psi rating)	1450 psi min.	1537 psi
D412	Ultimate Elongation (%)	350 min.	535
D1171	Resistance to Ozone – min. rating	100 (no cracks)	Passed
D673	Heat Aging – 70 hrs. at 212° F <ul style="list-style-type: none"> <li>• Change in Hardness (points)</li> <li>• Change in Tensile Strength (%)</li> <li>• Change in Elongation (%)</li> </ul>	+/- 15 max. +/- 30 max. +/- 50 max.	8 -4.7 -26
D2137	Low Temperature Brittleness 3 min. @ -40° F	Non-brittle	Passed
D624	Tear Resistance Die C (min.) per in. of width min.	125 lbs./in. width	130 lbs.
U.L. 94	Flame Resistance	U.L. 94 H.B.	Passed

## SIZE & ACCESSORY SELECTION GUIDE

FLASHING SIZE	PIPE OD RANGE	FLASHING BASE OD	NO. FASTENERS	SEALANT
<b>Standard Gray - (250° F)</b>				
Mini	1/8" - 1"	3-5/8"	5	1/12 Tube
#1	1/4" - 2"	4-3/4"	6	1/10 Tube
#2	1-3/4" - 3"	6-1/4"	8	1/7 Tube
#3	1/4" - 4"	7-3/4"	10	1/6 Tube
#4	3" - 6"	9-1/4"	12	1/5 Tube
#5	4" - 7"	10-3/4"	14	1/4 Tube
#6	5" - 9"	12-1/2"	16	1/4 Tube
#7	6" - 11"	14-1/2"	18	1/3 Tube
#8	7" - 13"	16-1/2"	22	1/3 Tube
#9	10" - 18"	25-3/8"	32	1/2 Tube
<b>High Temperature - Autumn Red - (350° F)</b>				
#3	1/4" - 4"	7-3/4"	10	1/6 Tube
#5	4" - 7"	10-3/4"	14	1/4 Tube
#8	7" - 13"	16-1/2"	22	1/3 Tube
#9	10" - 18"	25-3/8"	32	1/2 Tube
<b>Retro-Fit - Gray - (250° F)</b>				
#801	3/4" - 2-3/4"	6-1/4"	8	1/6 Tube
#802	2" - 7-1/4"	10-5/8"	14	1/4 Tube
#803	3-1/4" - 10"	14-1/2"	18	1/3 Tube



**DESIGN COMPONENTS, INC.** Serving The Metal Building Industry Since 1978

115 Walter Way	Fayetteville, GA 30214	email: sales@designcomponents.com
PH (800) 868-9910	FX (770) 460-7872	website: www.designcomponents.com