

ALUMINUM WINDOWS



HORIZONTAL SLIDE

FIXED

SINGLE HUNG

SPECIFICATIONS

● **CONSTRUCTION & DESIGN:**

- Fabricated from commercial quality 6063-T5 extruded aluminum alloy. Frame members shall be no less than .062".
- Screws, nuts, bolts, rivets shall be of aluminum, stainless steel, or other non-corrosive material compatible with aluminum and shall be of sufficient strength to perform the functions for which they are used.
- All joints of both frame and sash shall be neatly fitted and secured in a manner to utilize the full strength of the members connected. Members shall be adequately sealed to assure against seepage into surrounding wall construction.
- Operable windows shall be furnished with sash lock at meeting stile. Sash shall operate freely and be equipped with nylon rollers to assure proper alignment and smooth operation. The window sash shall be equipped with wool pile Fin-Seal weatherstrip that has been treated to provide added protection.

● **SCREENS:**

Where called for, insect screens shall be half length made of rolled aluminum frames with 18 x 16 mesh fiber-glass cloth.

● **FINISH:**

Exposed surfaces of aluminum members shall be finished in standard Mill or Bronze Enamel paint.

● **GLASS:**

- Horizontal Slide and Single Hung Windows shall be factory glazed with 1/8" thick DSB or hermetically sealed 7/16" thick insulated glass. Glass to be installed with rigid vinyl snap-in bead on outside of window with glazing leg rebates serrated to receive backbed compound.
- Fixed Glass Windows shall be factory glazed with 1/8" thick tempered glass with graylite tint or 1/2" thick hermetically sealed double glass with graylite tint. Glass to be installed with outside aluminum snap-in glazing bead with vinyl seal. Glazing leg rebates shall be a minimum of 3/4" in height and serrated to receive backbed compound.

● **OPTIONS:**

- Installation in metal wall panel utilizing slide-in fins and snap-on trim.
- Installation in masonry wall or framed opening.



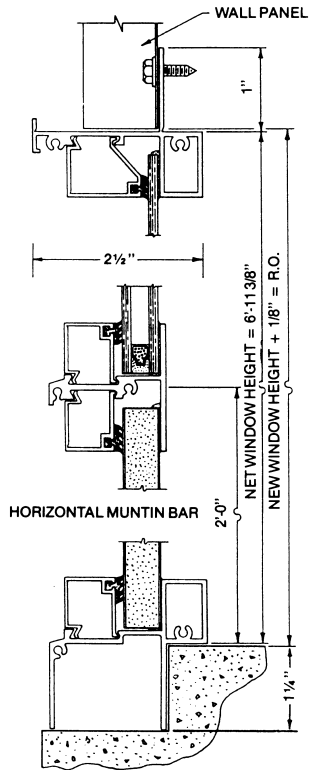
CALL FOR CURRENT PRICING

DESIGN COMPONENTS, INC. Serving The Metal Building Industry Since 1978

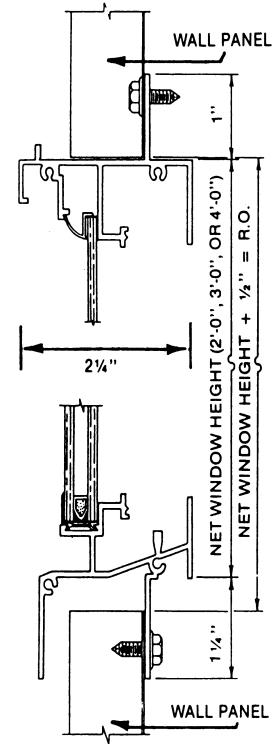
| | | |
|-------------------|------------------------|-----------------------------------|
| 115 Walter Way | Fayetteville, GA 30214 | email: sales@designcomponents.com |
| PH (800) 868-9910 | FX (770) 460-7872 | website: www.designcomponents.com |

WINDOW INSTALLATION DETAILS

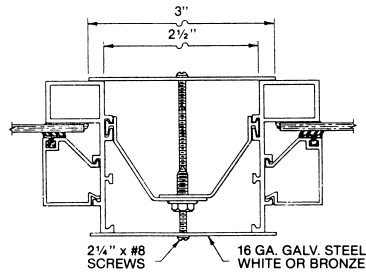
Head & Sill Details for Fixed Glass Window



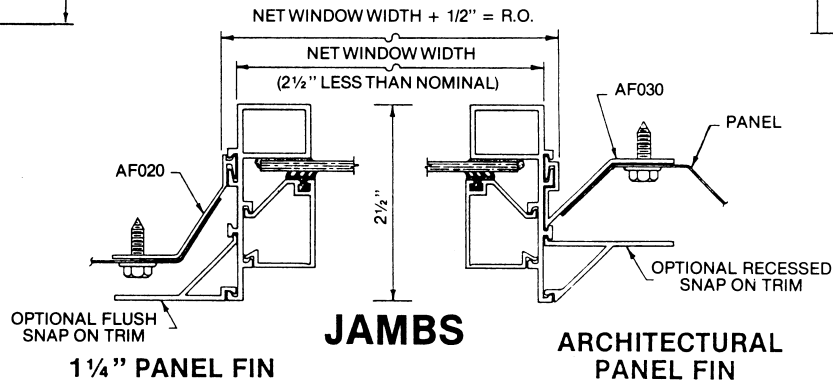
Head & Sill Details for Horizontal Slide & Single Hung Windows



Mullion for Fixed, Horizontal Slide or Single Hung Windows

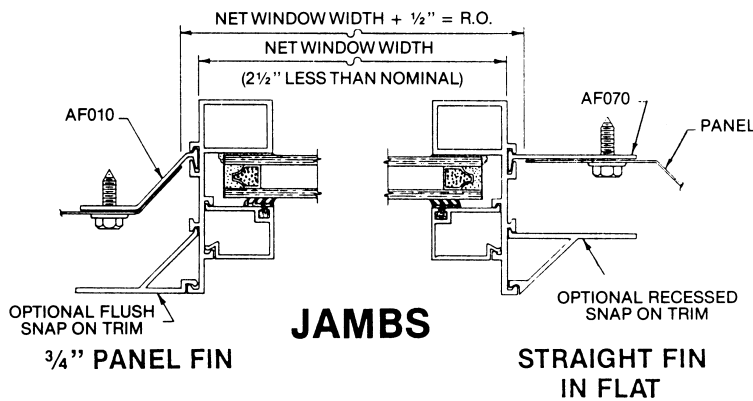


Jamb Fins & Trim Details for all Window Types



1 1/2" PANEL FIN

ARCHITECTURAL PANEL FIN



3/4" PANEL FIN

STRAIGHT FIN IN FLAT



DESIGN COMPONENTS, INC. Serving The Metal Building Industry Since 1978

| | | |
|-------------------|------------------------|-----------------------------------|
| 115 Walter Way | Fayetteville, GA 30214 | email: sales@designcomponents.com |
| PH (800) 868-9910 | FX (770) 460-7872 | website: www.designcomponents.com |