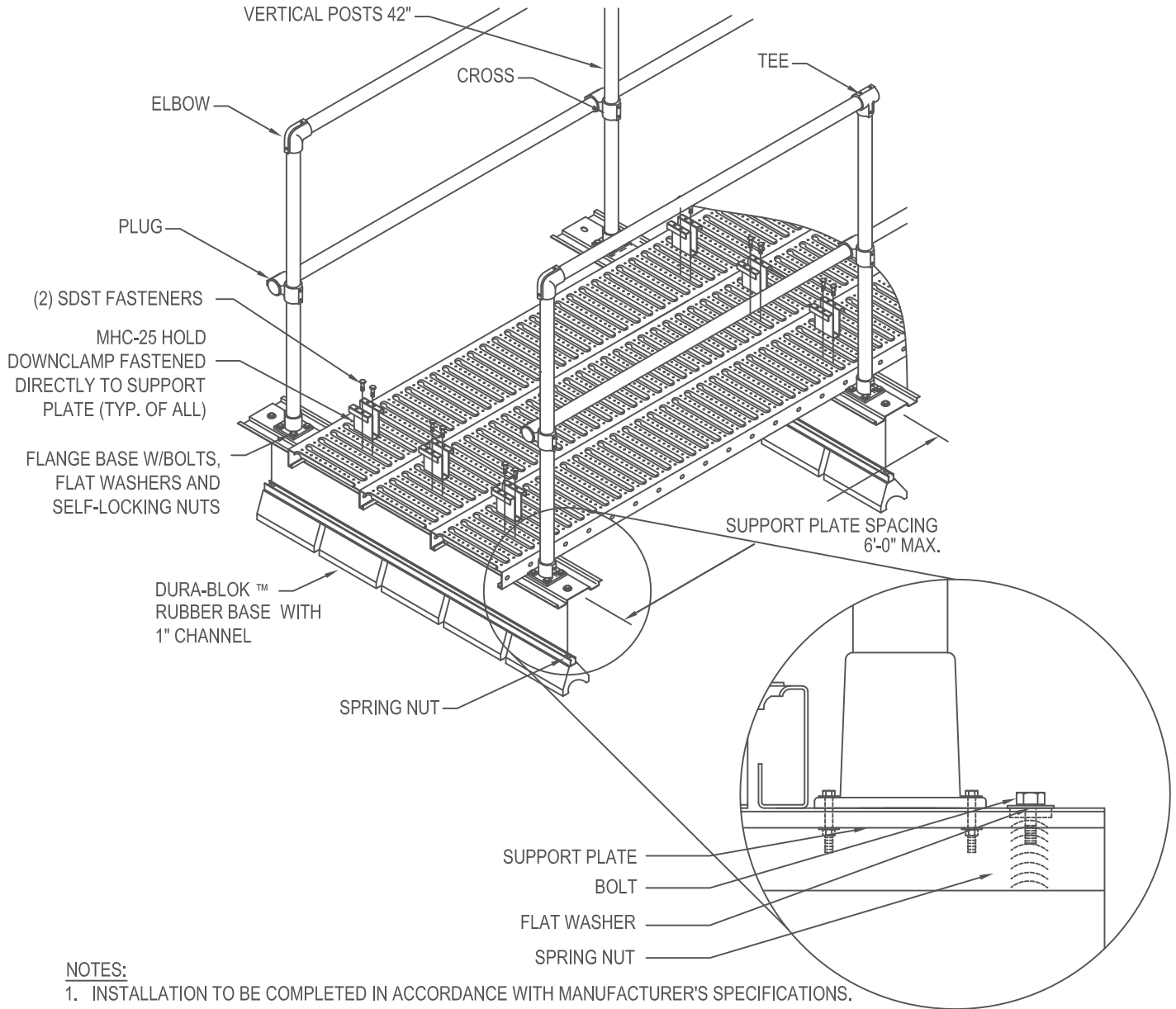


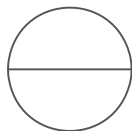


DESIGN COMPONENTS INC / METALWALK  
 115 WALTER WAY  
 FAYETTEVILLE, GA 30214  
 PHONE: (800) 868-9910  
 FAX: (770) 460-7872  
 www.rooftopwalkway.com



**NOTES:**

1. INSTALLATION TO BE COMPLETED IN ACCORDANCE WITH MANUFACTURER'S SPECIFICATIONS.
2. DO NOT SCALE DRAWING.
3. THIS DRAWING IS INTENDED FOR USE BY ARCHITECTS, ENGINEERS, CONTRACTORS, CONSULTANTS AND DESIGN PROFESSIONALS FOR PLANNING PURPOSES ONLY. THIS DRAWING MAY NOT BE USED FOR CONSTRUCTION.
4. ALL INFORMATION CONTAINED HEREIN WAS CURRENT AT THE TIME OF DEVELOPMENT BUT MUST BE REVIEWED AND APPROVED BY THE PRODUCT MANUFACTURER TO BE CONSIDERED ACCURATE.
5. CONTRACTOR'S NOTE: FOR PRODUCT AND COMPANY INFORMATION VISIT [www.CADdetails.com/info](http://www.CADdetails.com/info) AND ENTER REFERENCE NUMBER 5018-001.



**ROOFTOP METALWALK SYSTEM - FLAT ROOF**

36" WIDE METALWALK®, 2 SIDED HANDRAIL, DURA-BLOK™

