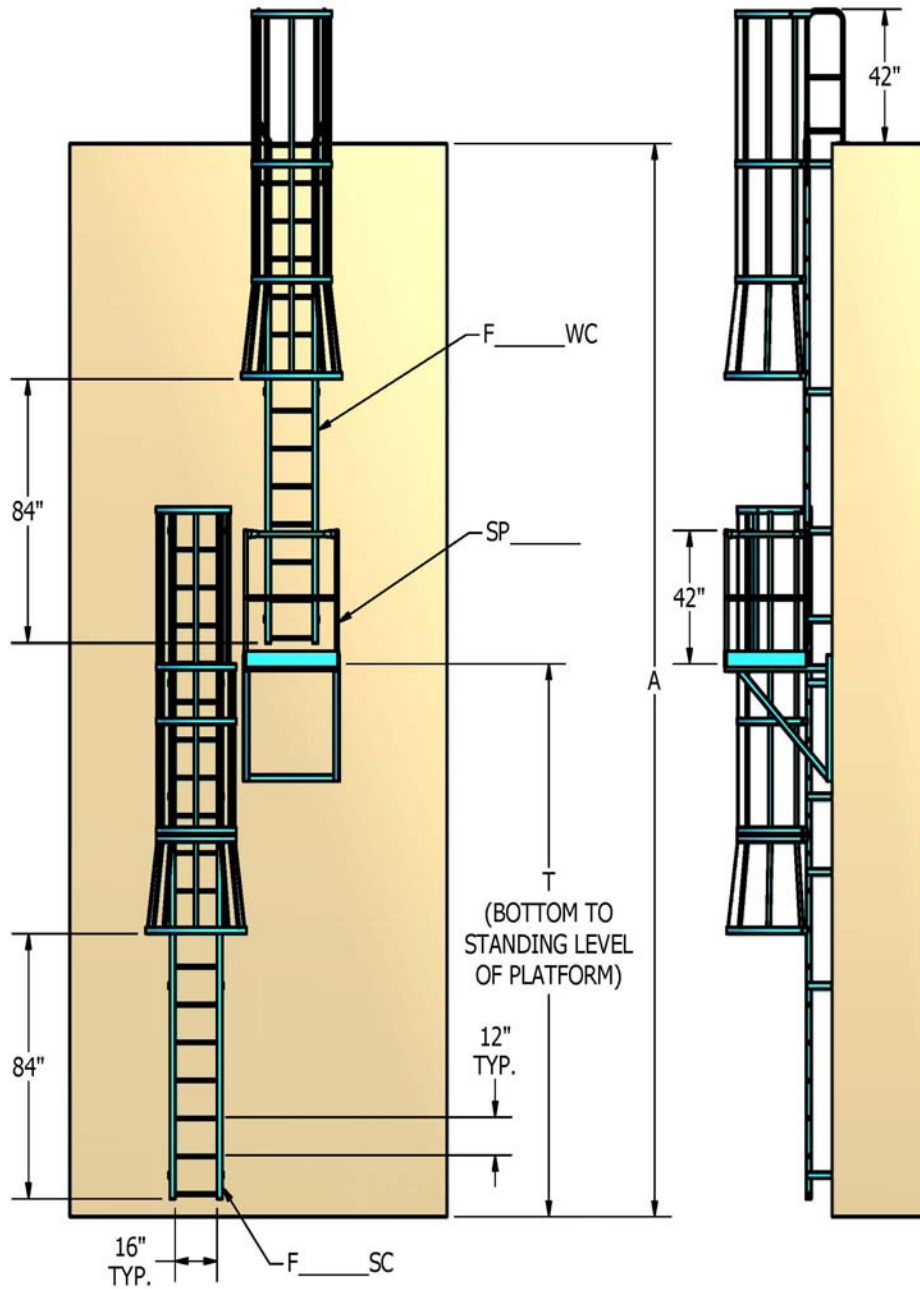


CAGED LADDER

SIDE ENTRY WITH PLATFORM



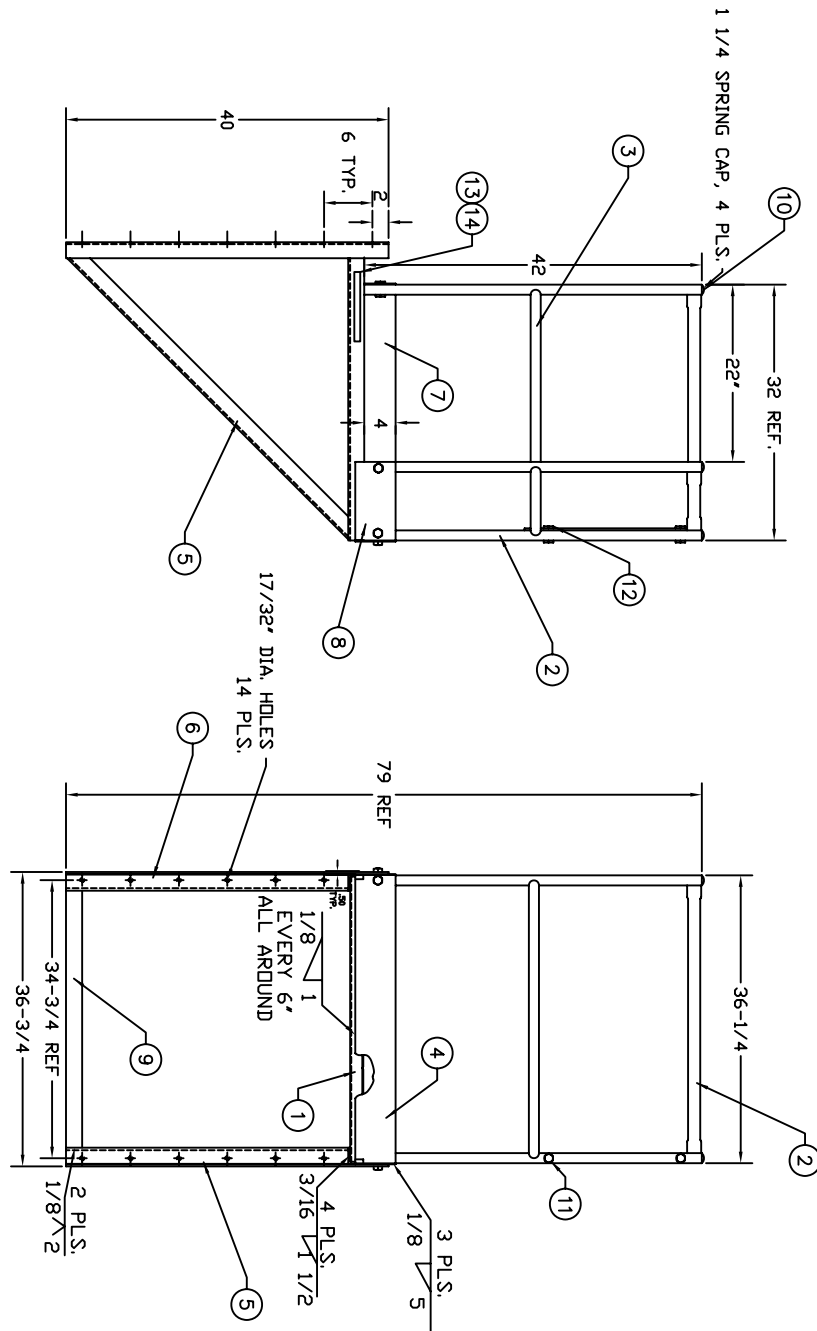
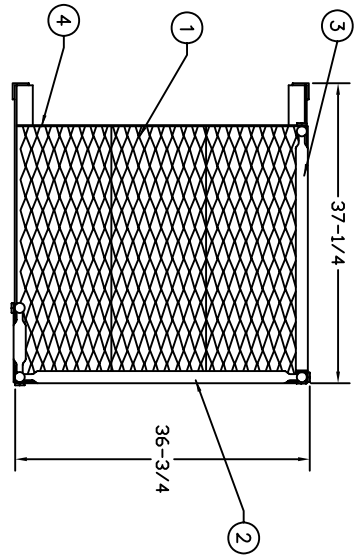
| | |
|---|-------|
| F_____ SC (FIXED LADDER NUMBER OF RUNGS SAFETY CAGE) | |
| SP_____ (STANDOFF PLATFORM L7=RIGHT L8=LEFT) | RIGHT |
| F_____ WC (FIXED LADDER NUMBER OF RUNGS WALK THRU WITH CAGE) | |
| ELEVATION OUTSIDE WALL (ASCENT SIDE)- A= | |
| BOTTOM TO STANDING LEVEL OF PLATFORM (ASCENT SIDE) - T= | |



DESIGN COMPONENTS, INC. Serving the Metal Building Industry since 1978

| | | |
|-------------------|------------------------|-----------------------------------|
| 115 Walter Way | Fayetteville, GA 30214 | email: sales@designcomponents.com |
| PH (800) 868-9910 | FX (770) 460-7872 | website: www.designcomponents.com |

| REV. | DATE | BY | APP'D | DESCRIPTION |
|------|-------|--------|--------------------------------|----------------|
| B | 07/90 | REBMAN | TO COMPUTER, REMOVE PARTS LIST | 02/09/93 RJ JK |
| C | 1988 | ADDED | BOM TO DRAWING | 11/02/01 JT JK |
| D | 2266 | EDIT | DWG. FOR ECD 2266 | 04/09/05 JM JK |



| ITEM | MATERIAL/DRAWING | DESCRIPTION | QTY |
|------|------------------|---------------------------------------|-----|
| 1 | B-5714 | PLATFORM | 1 |
| 2 | B-5715 | LEFT SIDE & FRONT PANEL | 1 |
| 3 | B-5717 | RIGHT SIDE & FRONT PANEL | 1 |
| 4 | A-5744 | FRONT & BACK TOE BOARD | 2 |
| 5 | C-5718 | R.H. MOUNTING SUPPORT FOR S.P. | 2 |
| 6 | C-5717 | L.H. MOUNTING SUPPORT FOR S.P. | 2 |
| 7 | A-5749 | LONG SIDE TOE BOARD | 1 |
| 8 | A-5748 | SHORT SIDE TOE BOARD | 1 |
| 9 | SF5170 | SUPPORT SPACER | 4 |
| 10 | A-391-0681 | 1-1/4" X 1/4" X 20" CAP PLUG | 4 |
| 11 | A-391-0995 | 3/8" X 1/8" X 2-1/4" HEX HD CAP SCREW | 6 |
| 12 | A-391-0988 | 3/8" X 1/8" X 2-1/4" HEX HD CAP SCREW | 6 |
| 13 | A-391-15225 | 3/8" X 1/8" X 2-1/4" HEX HD CAP SCREW | 6 |
| 14 | A-409-0008 | NAMEPLATE, 300 LB/CAP/100MM | 1 |

THIS DRAWING IS COMPUTER GENERATED.
 COTTERMAN COMPANY
 130 SELTZER RD. CROSSWELL, MI 48422
 DIVN CEG DATE 5-23-85
 DWN CEG DATE 9-11-85
 CHK JK DATE 9-11-85
 THIS PRINT IS THE PROPERTY OF COTTERMAN COMPANY AND MUST NOT BE USED IN WHOLE OR PART WITHOUT WRITTEN PERMISSION.
 PLEASE RETURN ON DEMAND.
 PART NO. 36 X 32 LEFT SIDE ENTRY STAIRWAY PLATFORM - PL
 DWG. NO. D0570006
 SCALE 1/8"=1'
 SHEET 1-1