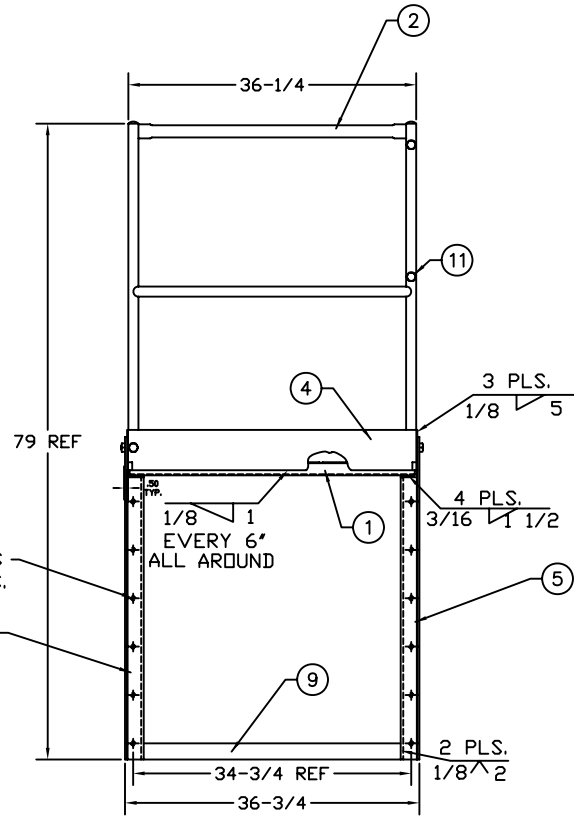
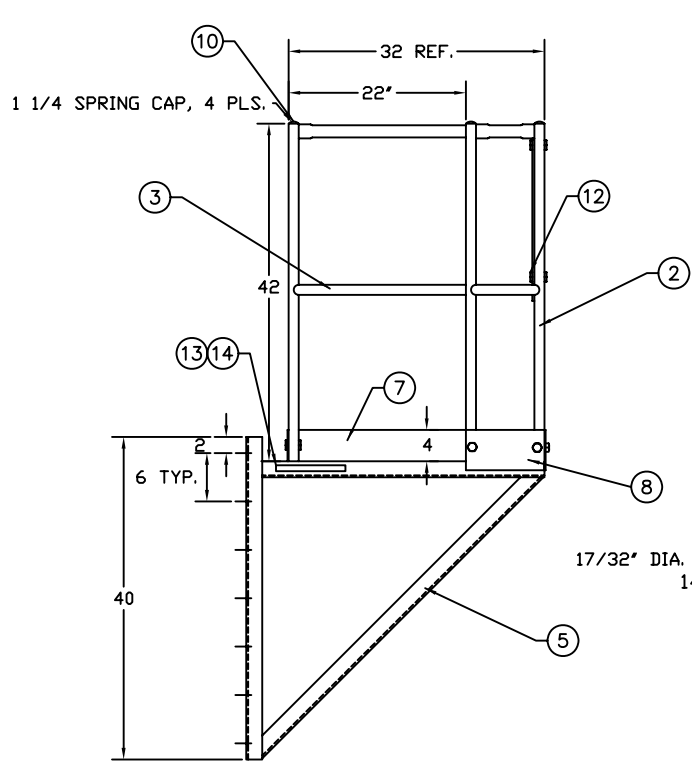
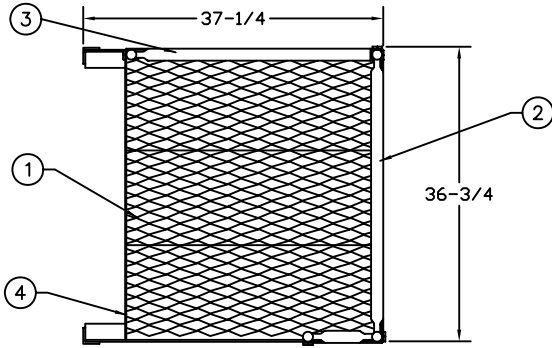


DWG. NO. D0570006		SHT. 1		REV. B	
REVISIONS					
REV.	E.C.D.	DESCRIPTION	DATE	BY	APP'D
B	0780	REDRAWN TO COMPUTER, REMOVE PARTS LIST	02/09/93	RJ	JK
C	1988	ADDED BOM TO DRAWING	11/02/01	JT	JK
D	2266	EDIT DWG. FOR ECO 2266	04/05/05	JM	JK



ITEM	MATL/PART	DRAWING	DESCRIPTION	QTY
1	B-57-14	B0570014	PLATFORM	1
2	B-57-15	B0570016	LEFT SIDE & FRONT PANEL	1
3	B-57-17	B0570017	SIDE PANEL	1
4	A-57-44	A0570044	FRONT & BACK TOE BOARD	2
5	C-57-18	C0570018	R.H. MOUNTING SUPPORT FOR S.P.	2
6	C-57-17	C0570017	L.H. MOUNTING SUPPORT FOR S.P.	2
7	A-57-49	A0570049	LONG SIDE TOE BOARD	1
8	A-57-48	A0570048	SHORT SIDE TOE BOARD	1
9	SF5170	-	SUPPORT SPACER	1
10	A-301-0681	-	1-1/4-14-20 CAP PLUG	4
11	A-301-0995	-	3/8-16 X 2-1/4 HEX HD CAP SCREW	6
12	A-301-0988	-	3/8-16 HEX LOCKNUTS W/NYLON INSERTS	6
13	A-301-0525	-	MADE IN THE USA LABEL	1
14	A-008-0008	-	NAMEPLATE: 300 LB/CAUTION-MI	1

THIS DRAWING IS COMPUTER GENERATED.

DWN	CEG	DATE	5-23-85
CKD		DATE	
APD	JK	DATE	9-11-85

130 SELTZER RD, CROSWELL, MI 48422

36 X 32 LEFT SIDE ENTRY STANDOFF PLATFORM - FL

THIS PRINT IS THE PROPERTY OF COTTERMAN COMPANY AND MUST NOT BE USED IN WHOLE, OR PART WITHOUT WRITTEN PERMISSION.

PLEASE RETURN ON DEMAND.

PART NO.	DWG. NO.	REV.
3570202	D0570006	D

SCALE 1/8"=1" SHT. 1-1

DWG. NO. D0570006 SHT. 1 REV. B