

# PERSONNEL DOOR CANOPIES



**STANDARD CONSTRUCTION:**  
Drain Holes at Rear of Canopy

**OPTIONAL:** Front Facing Drain Holes  
(Upon Request)

**WIND SPEED:** 180 mph (IBC 2015)

**SNOW LOAD:** 4'-0" PROJ. 34 psf  
5'-0" PROJ. 26 psf  
50psf, 75psf, 100psf available

## SPECIFICATIONS

- **CONSTRUCTION:**

- Constructed of 24 Ga. painted steel or .032 embossed aluminum material around an 16 Ga. Galvanized frame.
- 18Ga. Telescoping support channels mount between girts on the interior of the building.
- Channels will accommodate girt spacing of up to 6'-0".
- 1/2" Galv. pipe hangers with adjustable rod ends connects channels to canopy frame.
- All hardware necessary for installation is included.

- **DESIGN:**

- Incorporates a flat soffit and an integral gutter drain.
- Canopy drains against building to outside of door jambs.
- Can be installed in conjunction with any wall panel type or masonry construction.
- Long continuous run applications available.

- **FINISH:**

Mill Finish, Pre-Coated or Baked Enamel Finish applied to match most metal building colors.

- **STANDARD SIZES:**

4'-0" projection from face of wall and either 4'-6" width for single doors or 7'-6" width for double doors.

**SPECIAL SIZES AVAILABLE**

- **LOADING:**

4'-0" projection canopy is rated for 34#PSF gravity loading / 180 mph wind uplift rated.

5'-0" projection canopy is rated for 26#PSF gravity loading / 180 mph wind uplift rated.

*(assumes canopy is mounted less than 30' from ground)*

**Note:** Canopy shall not be located in a corner zone.



**CALL FOR CURRENT PRICING**

**DESIGN COMPONENTS, INC.** Serving The Metal Building Industry Since 1978

115 Walter Way	Fayetteville, GA 30214	email: sales@designcomponents.com
PH (800) 868-9910	FX (770) 460-7872	website: www.designcomponents.com

# CANOPY INSTALLATION DETAILS

## Canopy Installation Instructions \*Metal Panel Applications\*

Note: Additional Support Columns and Pipe Hangers may be required for larger Canopies and/or higher wind loads.

### Step 1 Install Vertical Support Columns

Install vertical support columns to girt framing. (Girt spacing max 6'0")

**1A** - Center canopy over door. If necessary, shift canopy towards door knob so that pipe hangers penetrate in the high or low areas of panel. When the canopy is positioned at the desired location match drill 9/16" holes through pre-drilled canopy angle holes. (These holes are aligned with the center of the zee rafter holes used for the pipe hangers at the wall attachment angle of the canopy).

**1B** - Align centerline of support columns with 9/16" holes drilled in step 1A and centerline of zee rafters on canopy between girts. Make sure support columns are perpendicular to top and bottom girt. Attach mounting clips to each end of telescoping support columns with (2) 1/4" X 3/4" bolts and nuts per clip. Slide adjust columns to proper length in order to fit between girts (6 ft. maximum). Secure columns to girts with (2) 1/4" X 3/4" bolts and nuts per clip.

### Step 2 Install Lower Support Bolts

**2A** - Match drill through previously drilled holes in wall panel through centerline of support columns.

**2B** - With canopy re-positioned and matching holes in canopy and wall panel aligned, attach canopy to wall panel and support column using 1/2" X 6" bolt with washer. (Use PVC spacer sleeve if hole in wall panel is in low area of panel) (Typical each side)  
**Note: before tightening bolts, apply sealant at penetration points.**

### Step 3 Attach Pipe Hangers to Canopy

**3A** - Thread 1/2" nut on the short rod end, slide on 1/2" washer and insert into hole on top of canopy rafter. Secure with 1/2" nuts and washers on underside of rafter. (Typical for each pipe hanger assy.)

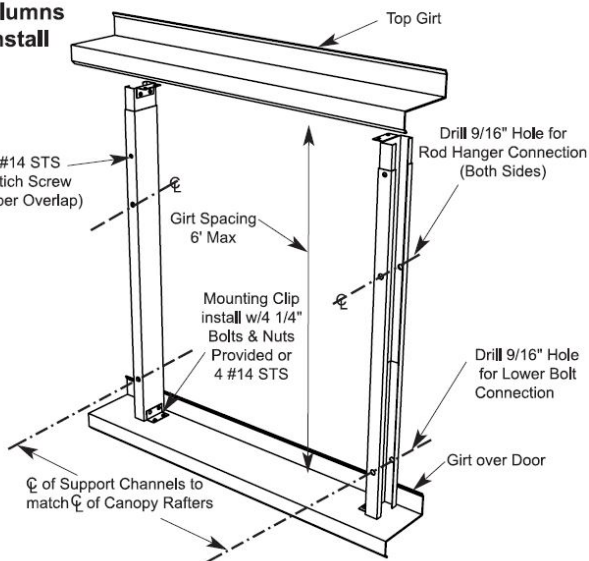
### Step 4 Attach Pipe Hangers to Wall

**4A** - Locate the elevation at the point where long rod end will penetrate the wall. Drill 9/16" hole through panel and support columns. Thread 1/2" nut on long rod end and slide on 1/2" washer. Insert long rod through wall panel and support columns. Secure at support column with 1/2" nuts and washers. **Note: before tightening bolts, apply sealant at penetration points.**

### Step 5 Adjust Pitch of Canopy

**5A** - Adjust pipe hanger yoke ends, and/or short rod end at rafter, so the canopy slopes back toward wall 1/2" to 1" (for rear mounted drains).

### Support Columns Install



## Canopy Installation Instructions \*Masonry Applications\*

Note: Additional Support Columns and Pipe Hangers may be required for larger Canopies and/or higher wind loads.

### Step 1 Install Lower Support Bolts

**1A** - Center canopy over door. Mark wall at locations where pre-attached canopy rafter angle holes meet wall.

**1B** - Drill holes in masonry and install wall anchors sized to accept 1/2" bolts and appropriate design for masonry type. (Note: wall anchors by others)

**1C** - Insert 1/2" X 3" bolt with washer through canopy angle and into wall anchor.

### Step 2 Attach Pipe Hangers to Canopy

**2A** - Thread 1/2" nut on one end of the pipe hanger rod end, slide on 1/2" washer and insert into hole on top of canopy rafter.

**2B** - Secure with 1/2" nuts and washers on underside of rafter.

### Step 3 Attach Pipe Hangers to Wall

**3A** - Locate elevation at the point where opposite rod end will penetrate the wall.

**3B** - Drill holes in masonry and install wall anchors sized to accept 1/2" bolts and appropriate design for masonry.

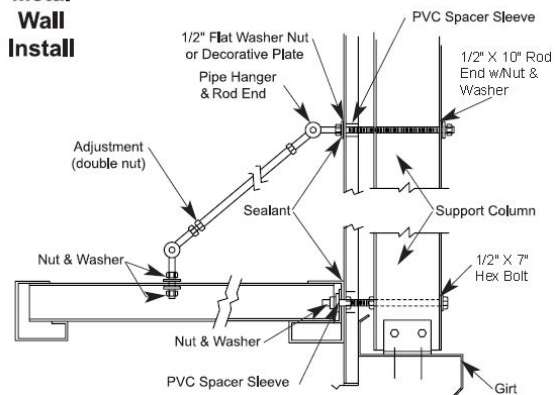
**3C** - Thread rod end into wall anchor.

**3D** - Attach rod end to pipe hanger with devis pin.

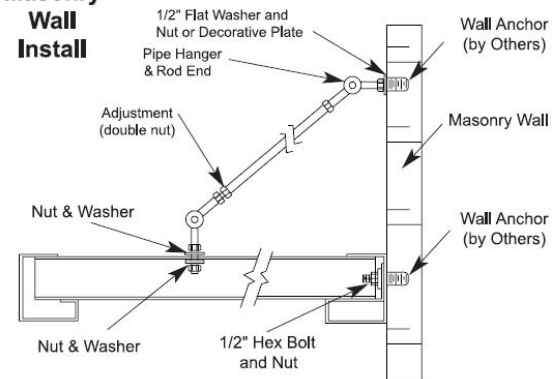
### Step 4 Adjust Pitch of Canopy

**4A** - Adjust pipe hanger yoke ends, and/or short rod end at rafter, so the canopy slopes back toward wall 1/2" to 1" (for rear mounted drains).

### Metal Wall Install



### Masonry Wall Install



DESIGN COMPONENTS, INC. Serving The Metal Building Industry Since 1978

115 Walter Way	Fayetteville, GA 30214	email: sales@designcomponents.com
PH (800) 868-9910	FX (770) 460-7872	website: www.designcomponents.com