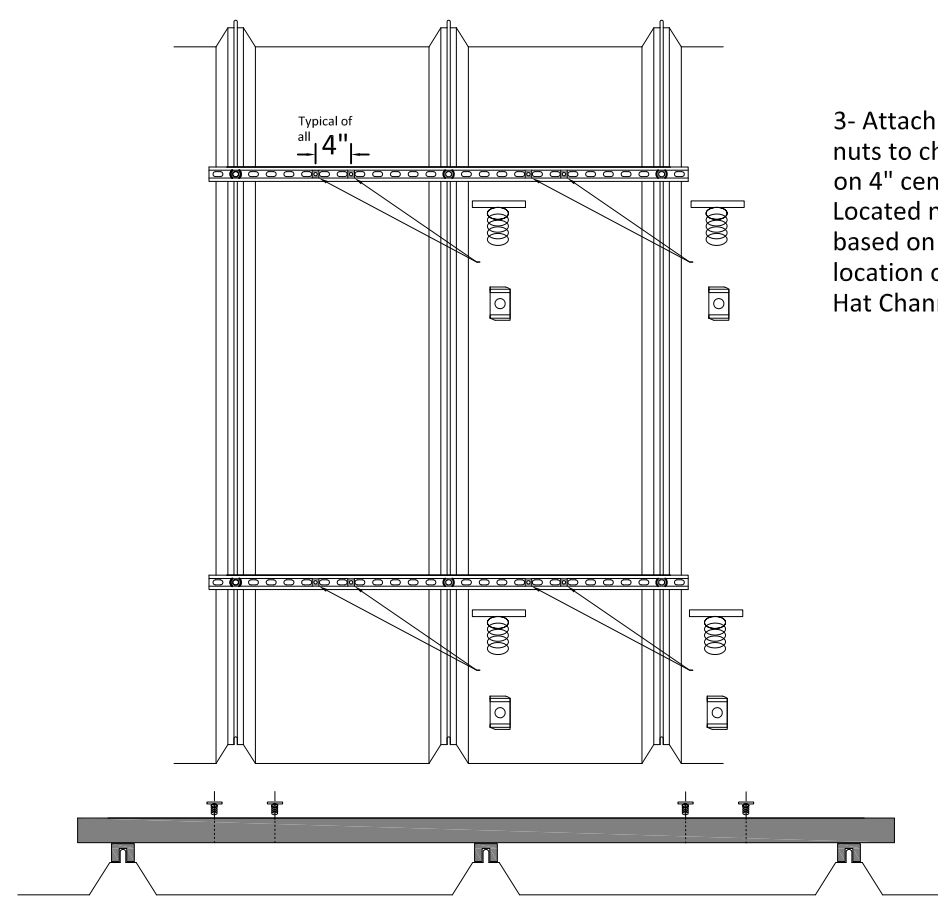
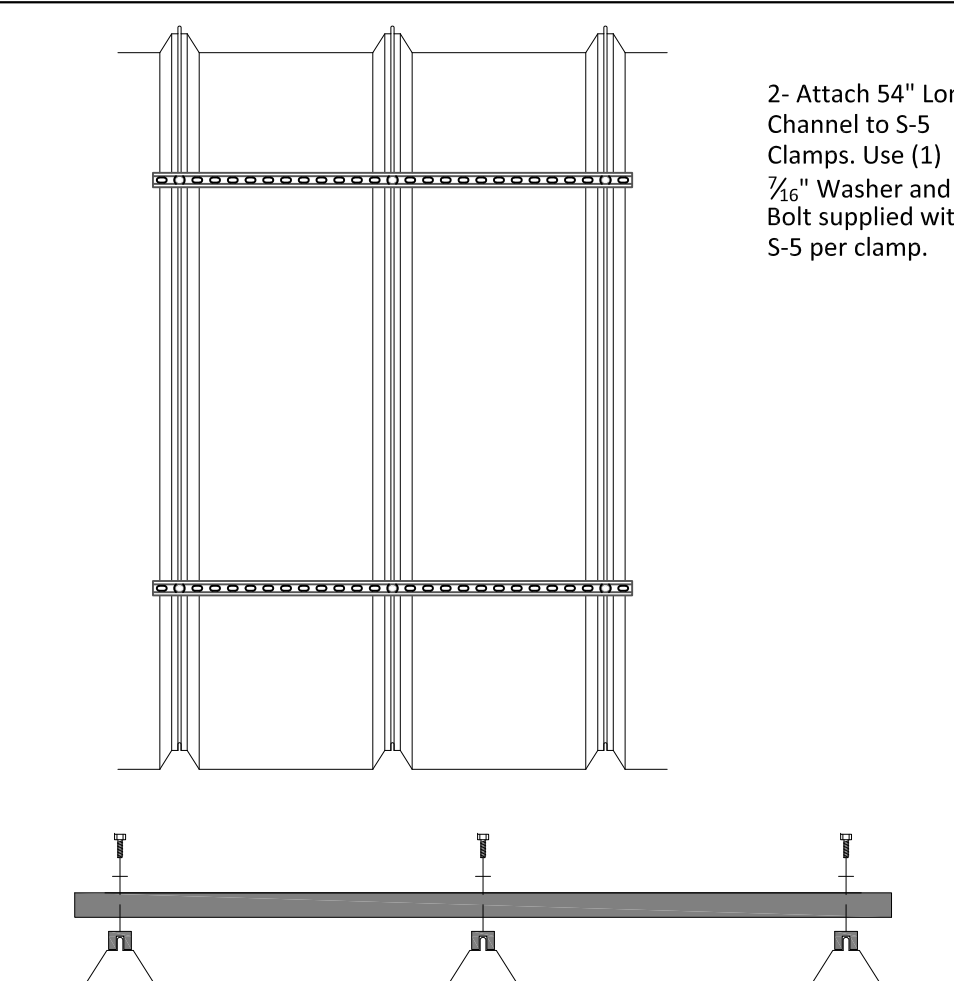


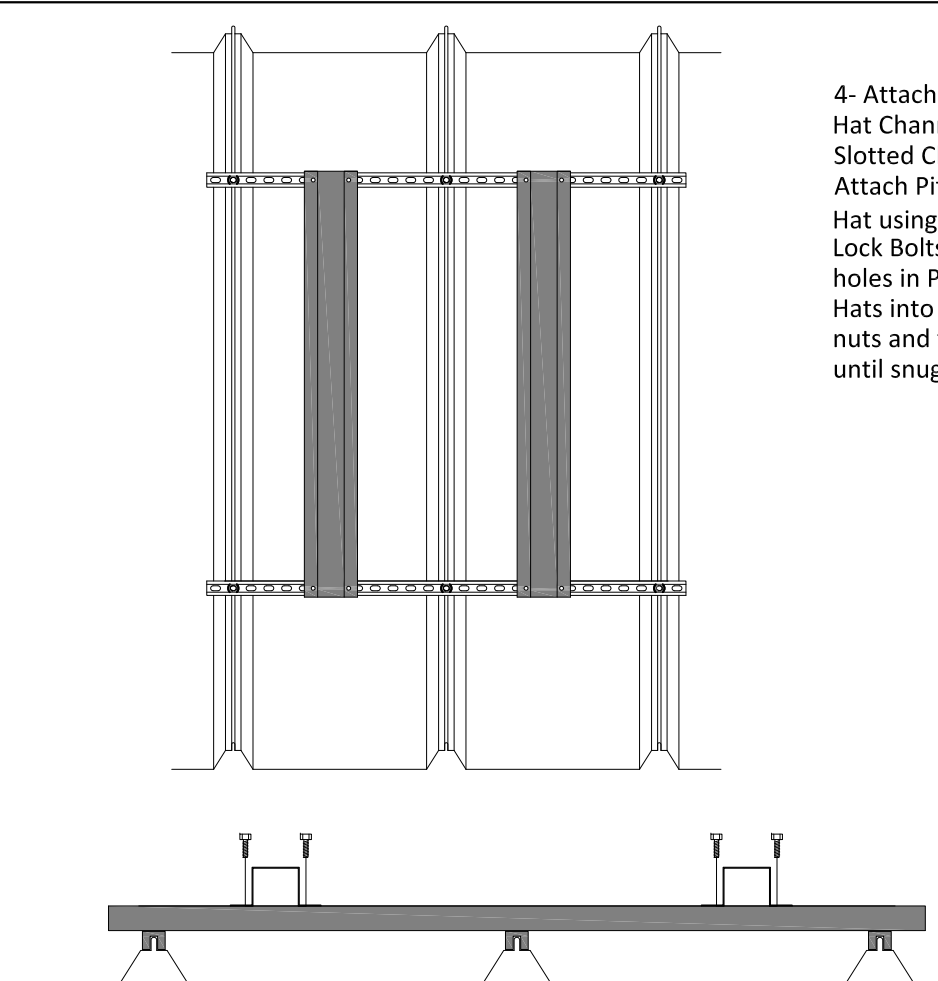
1- Install S-5 Clamps in desired location on each rib 46" o.c.



3- Attach Spring nuts to channel on 4" centers. Located nuts based on desired location of Pitched Hat Channels.




2- Attach 54" Long Channel to S-5 Clamps. Use (1) 7/16" Washer and Bolt supplied with S-5 per clamp.

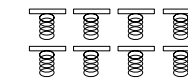



4- Attach Pitched Hat Channels to Slotted Channel. Attach Pitched Hat using 5/16" Lock Bolts thru holes in Pitched Hats into Spring nuts and tighten until snug.

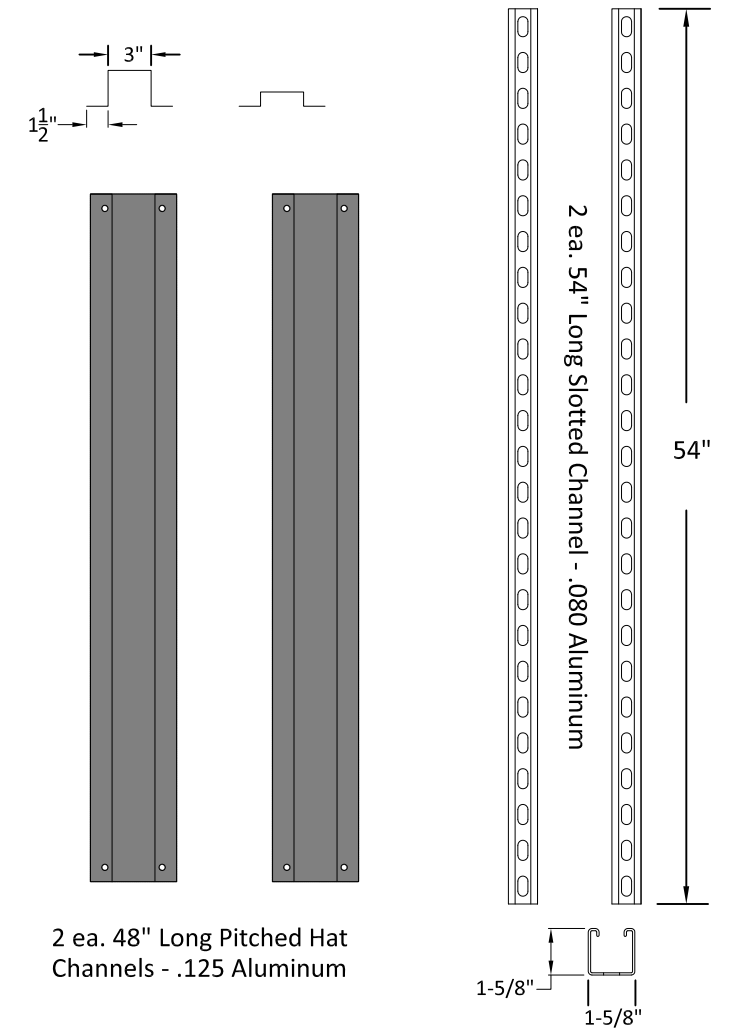
BILL OF MATERIALS

 6 ea. S-5 Clamps w/ Bolts

 6 ea. 7/16" Washers

 8 ea. N223 Spring Nuts

 8 ea. 5/16" x 18 x 1" Lock Bolts



2 ea. 48" Long Pitched Hat Channels - .125 Aluminum

2 ea. 54" Long Slotted Channel - .080 Aluminum

CONDENSER PLATFORM



DESIGN COMPONENTS, INC.
115 Walter Way
Fayetteville, GA 30214 (800) 868-9910

SCALE

SHEET