



DESIGN COMPONENTS, INC.

115 Walter Way - Fayetteville, GA 30214
 ph: (800) 868-9910
 fx: (770) 460-7872
 email: sales@designcomponents.com
 website: www.designcomponents.com

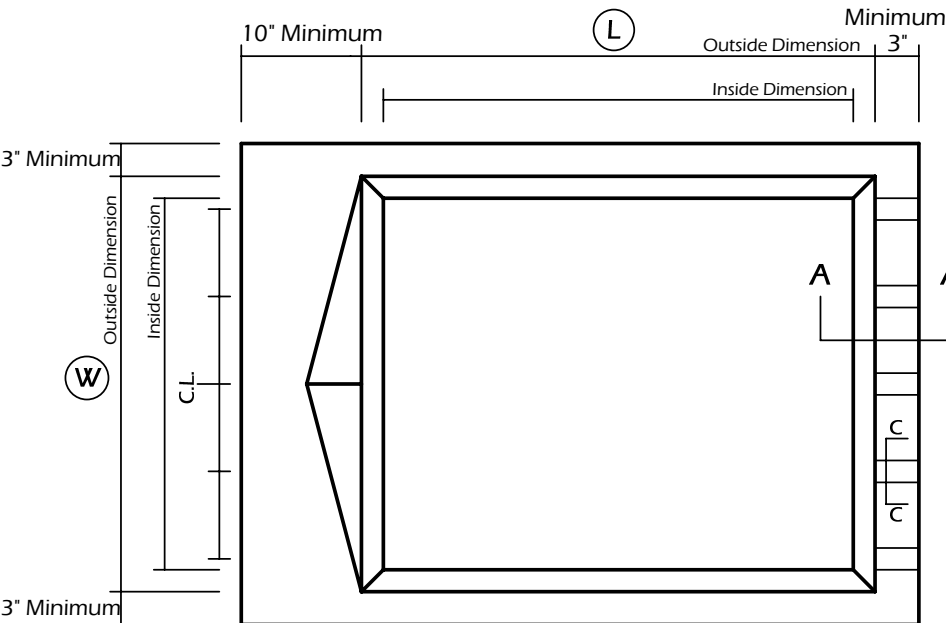
**METAL BUILDING ROOF CURB
 UNDER/OVER-WELDED REAR RIBS**

(800) 868-9910

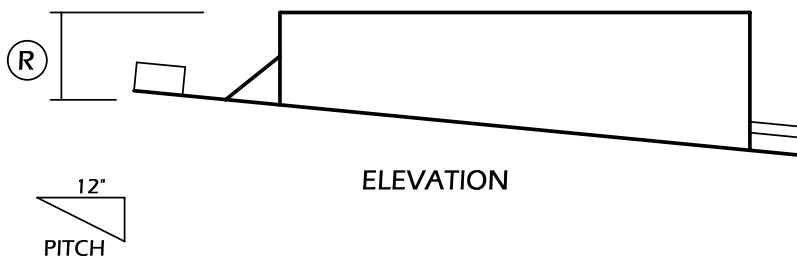
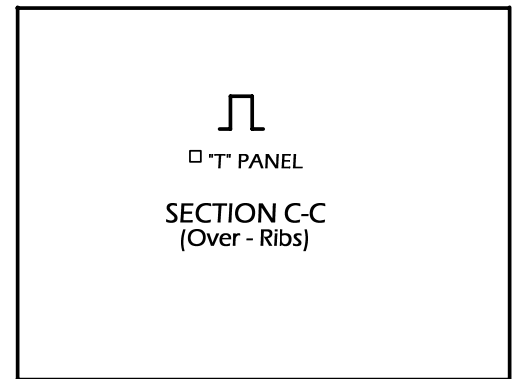
<p>Metal Building Roof Curb</p> <p><u>STANDARD FEATURES</u></p> <ol style="list-style-type: none"> 1. 18 Ga. AZ55 Galvalume Steel. 2. Corners Mitered and Welded Watertight. 3. Curb welds primed after fabrication. 4. Water Cricket. 5. 8" Minimum Height. 6. Internal Angle Reinforcing. 7. 1 1/2" Thick, 3# Density Fiberglass. <p><u>OPTIONS:</u></p> <ol style="list-style-type: none"> 1. 2. 3. 4. 	<p>PROJECT NAME: _____</p> <p>CITY, STATE: _____</p> <p>CUSTOMER: _____</p> <p>JOB NUMBER: _____</p>
---	--

Note: The Front Flange Fits Under the Roof Panel
 The Rear and Side Flanges Fit Over the Roof Panel

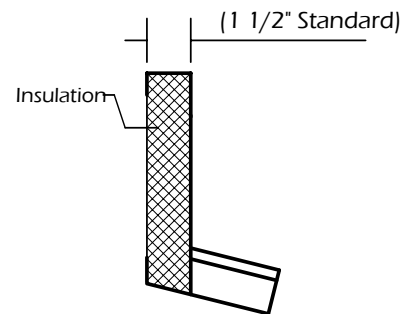
RIBS TO MATCH THIS ROOF PANEL _____



PLAN VIEW



ELEVATION



SECTION A - A

QUANTITY	INSIDE DIMENSION	OUTSIDE DIMENSION "W" x "L"	HEIGHT "R"	TAG
	x	x		
	x	x		
	x	x		
	x	x		
	x	x		