



design components. inc.

115 Walter Way – Fayetteville, Georgia 30214  
PH: (770) 460-7177

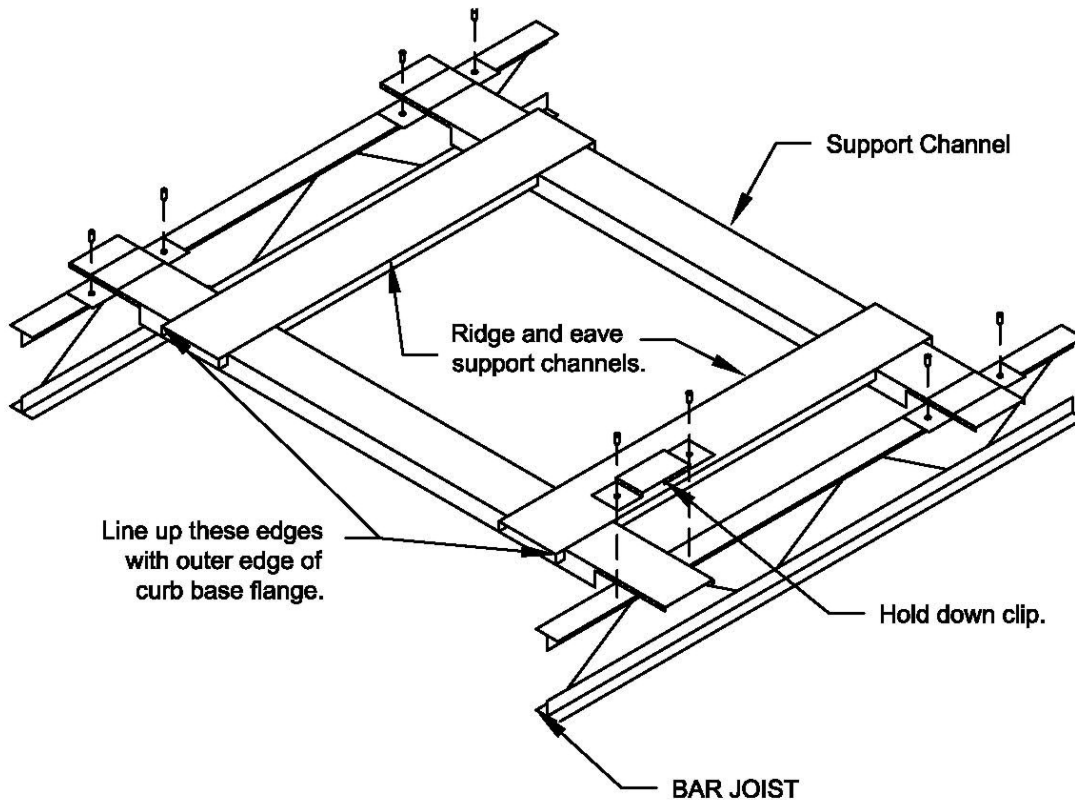
FX: (770) 460-7872

# Roof Curb Floating Support System

email: sales@designcomponents.com

website: www.designcomponents.com

## FLOATING FRAME SUPPORT SYSTEM FOR SSR



**This support system is designed for a Standing Seam style roof system.**

### **FEATURES**

- **Quick & easy assembly.**
- **Available in 12ga or 14ga Galvanized Steel.**
- **Provides structural integrity.**
- **High wind uplift resistance.**
- **Attaches directly to Purlins or Joists.**
- **Contracts & Expands with roof system.**