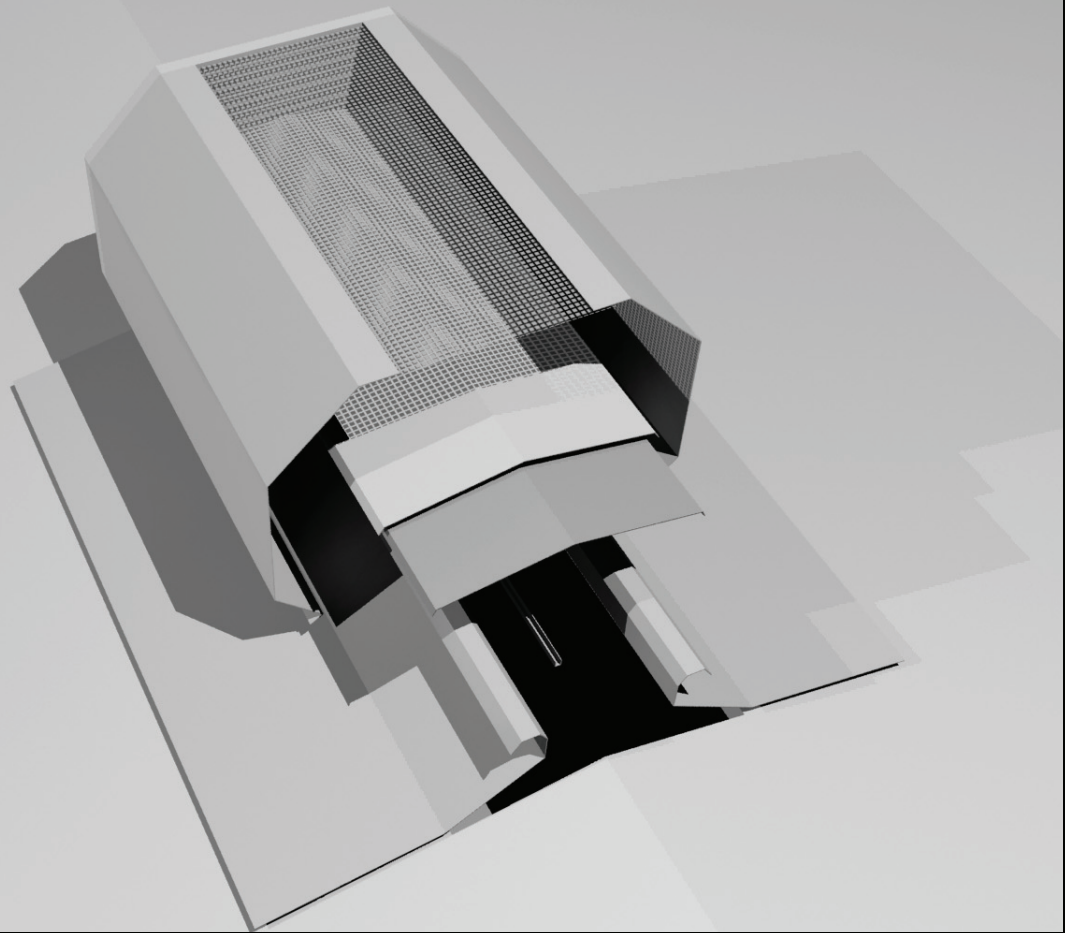


# GRAVITY RIDGE VENTILATORS



## SPECIFICATIONS

- **CONSTRUCTION:**

Constructed of 26 Ga. Steel exterior shell combined with internal components of 24, 20 and 18 gauge die formed sheet metal and machined parts.

- **DESIGN:**

- Aerodynamically proportioned to exclude weather protects air passages and full outlet area.
- Continuous slot on bottom of both sides of windbands allows for drainage.
- Can accommodate up to 6:12 roof pitch.
- Fully protected by a 4x4 mesh Galvanized hardware cloth bird screen.
- Operable damper opens to any degree from full open to fully closed with pull chain operator.

- **FINISH:**

Mill Finish Galvalume™, Pre-Coated or Baked Enamel Finish applied to match most metal building colors.

- **STANDARD SIZES:**

9" throat and 12" throat shipped in 10' long sections which can be installed as individual units or in continuous runs.

- **OPTIONS:**

- Vents may be furnished with or without dampers.
- Cable, pulleys and boat winch operator provides manual operation of continuous runs up to 5 units.
- Electric or Pneumatic operator can provide automatic operation for continuous runs up to 5 units .
- Die-Formed Skirt available for standard "R" panel.

*SPECIAL SIZES, MATERIAL & FINISHES AVAILABLE*

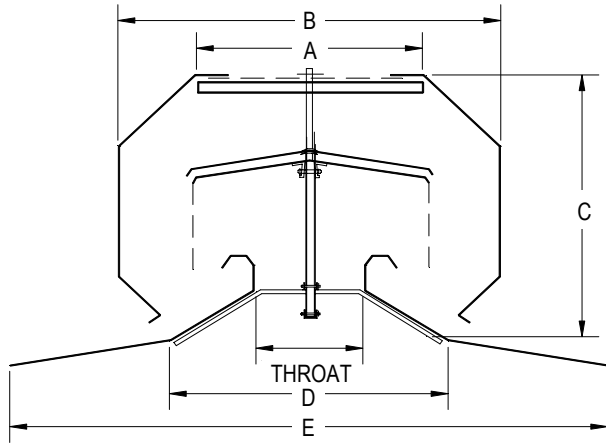
## CALL FOR CURRENT PRICING



**DESIGN COMPONENTS, INC.** Serving the Metal Building Industry since 1978

115 Walter Way	Fayetteville, GA 30214	email: sales@designcomponents.com
PH (800) 868-9910	FX (770) 460-7872	website: www.designcomponents.com

# RIDGE VENTILATOR DETAILS

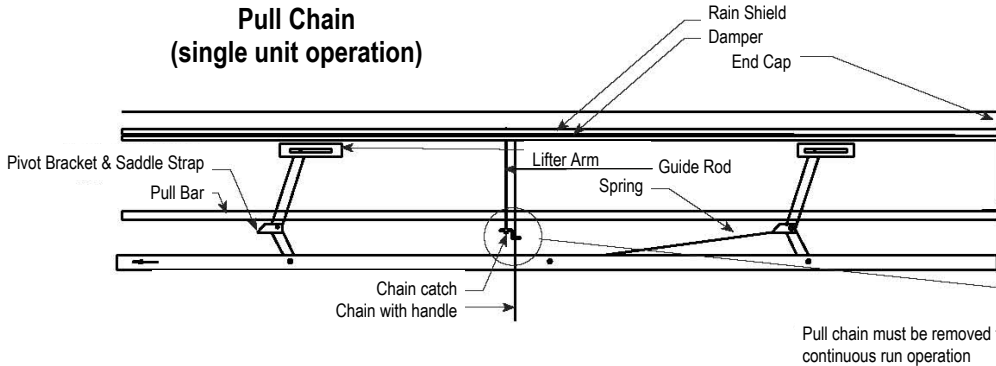


RIDGE VENT DIMENSIONS (IN INCHES)

THROAT	A	B	C	D	E
4	6-1/4	12-1/2	9	10	18
9	13	21-1/4	14-1/2	18	28-1/4
12	17	28-1/2	18	22	33
18	26-3/4	45-5/8	30-5/8	30	49
24	33-1/2	57	38-3/8	36-1/8	58-1/8
36	47-1/2	81-1/4	53-5/8	55	83-1/2

## RIDGE VENT OPERATION

**Pull Chain (single unit operation)**

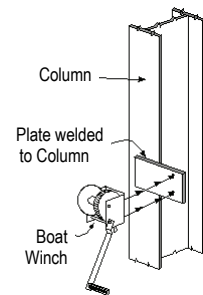
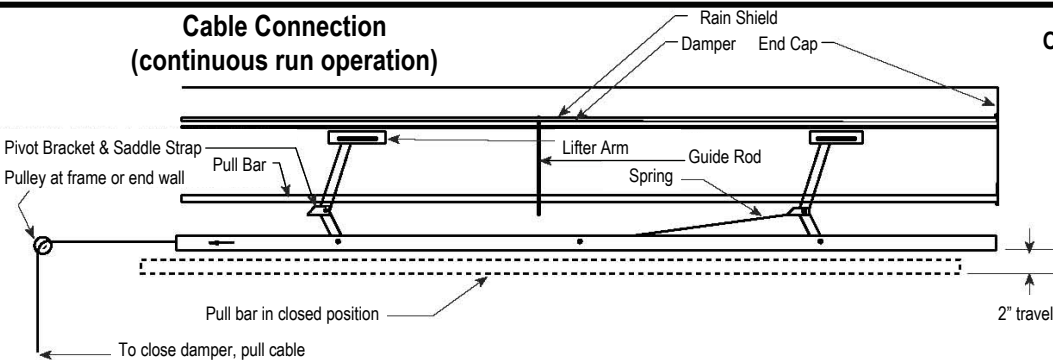


Chain-operated damper utilizes a rugged sash chain through chain locking device. Damper is spring-loaded to open and can be adjusted from fully open to fully closed.

Pull chain must be removed for continuous run operation

**Optional Boat Winch Operator**

**Cable Connection (continuous run operation)**



## PERFORMANCE DATA

THROAT SIZE	VENT HEIGHT	CFM
9"	10'	1572
	20'	2085
	30'	2775
	40'	3248
12"	10'	2810
	20'	3240
	30'	3590
	40'	3860

Assumes 10° Temperature differential and 5 mph wind speed



**DESIGN COMPONENTS, INC.** Serving The Metal Building Industry Since 1978

115 Walter Way	Fayetteville, GA 30214	email: sales@designcomponents.com
PH (800) 868-9910	FX (770) 460-7872	website: www.designcomponents.com