

PERSONNEL DOOR CANOPIES



STANDARD CONSTRUCTION:
Drain Holes at Rear of Canopy

OPTIONAL: Front Facing Drain Holes
(Upon Request)

WIND SPEED: 180 mph (IBC 2015)

SNOW LOAD: 4'-0" PROJ. 34 psf
5'-0" PROJ. 26 psf
50psf, 75psf, 100psf available

SPECIFICATIONS

- **CONSTRUCTION:**

- Constructed of 24 Ga. painted steel or .032 embossed aluminum material around an 16 Ga. Galvanized frame.
- 18Ga. Telescoping support channels mount between girts on the interior of the building.
- Channels will accommodate girt spacing of up to 6'-0".
- 1/2" Galv. pipe hangers with adjustable rod ends connects channels to canopy frame.
- All hardware necessary for installation is included.

- **DESIGN:**

- Incorporates a flat soffit and an integral gutter drain.
- Canopy drains against building to outside of door jambs.
- Can be installed in conjunction with any wall panel type or masonry construction.
- Long continuous run applications available.

- **FINISH:**

Mill Finish, Pre-Coated or Baked Enamel Finish applied to match most metal building colors.

- **STANDARD SIZES:**

4'-0" projection from face of wall and either 4'-6" width for single doors or 7'-6" width for double doors.

SPECIAL SIZES AVAILABLE

- **LOADING:**

4'-0" projection canopy is rated for 34#PSF gravity loading / 180 mph wind uplift rated.

5'-0" projection canopy is rated for 26#PSF gravity loading / 180 mph wind uplift rated.

(assumes canopy is mounted less than 30' from ground)

Note: Canopy shall not be located in a corner zone.



CALL FOR CURRENT PRICING

DESIGN COMPONENTS, INC. Serving The Metal Building Industry Since 1978

115 Walter Way	Fayetteville, GA 30214	email: sales@designcomponents.com
PH (800) 868-9910	FX (770) 460-7872	website: www.designcomponents.com

CANOPY INSTALLATION DETAILS

Canopy Installation Instructions *Metal Panel Applications*

Note: Additional Support Columns and Pipe Hangers may be required for larger Canopies and/or higher wind loads.

Step 1 Install Vertical Support Columns

Install vertical support columns to girt framing. (Girt spacing max 6'0")

1A - Center canopy over door. If necessary, shift canopy towards door knob so that pipe hangers penetrate in the high or low areas of panel. When the canopy is positioned at the desired location match drill 9/16" holes through pre-drilled canopy angle holes. (These holes are aligned with the center of the zee rafter holes used for the pipe hangers at the wall attachment angle of the canopy).

1B - Align centerline of support columns with 9/16" holes drilled in step 1A and centerline of zee rafters on canopy between girts. Make sure support columns are perpendicular to top and bottom girt. Attach mounting clips to each end of telescoping support columns with (2) 1/4" X 3/4" bolts and nuts per clip. Slide adjust columns to proper length in order to fit between girts (6 ft. maximum). Secure columns to girts with (2) 1/4" X 3/4" bolts and nuts per clip.

Step 2 Install Lower Support Bolts

2A - Match drill through previously drilled holes in wall panel through centerline of support columns.

2B - With canopy re-positioned and matching holes in canopy and wall panel aligned, attach canopy to wall panel and support column using 1/2" X 6" bolt with washer. (Use PVC spacer sleeve if hole in wall panel is in low area of panel) (Typical each side)
Note: before tightening bolts, apply sealant at penetration points.

Step 3 Attach Pipe Hangers to Canopy

3A - Thread 1/2" nut on the short rod end, slide on 1/2" washer and insert into hole on top of canopy rafter. Secure with 1/2" nuts and washers on underside of rafter. (Typical for each pipe hanger assy.)

Step 4 Attach Pipe Hangers to Wall

4A - Locate the elevation at the point where long rod end will penetrate the wall. Drill 9/16" hole through panel and support columns. Thread 1/2" nut on long rod end and slide on 1/2" washer. Insert long rod through wall panel and support columns. Secure at support column with 1/2" nuts and washers. **Note: before tightening bolts, apply sealant at penetration points.**

Step 5 Adjust Pitch of Canopy

5A - Adjust pipe hanger yoke ends, and/or short rod end at rafter, so the canopy slopes back toward wall 1/2" to 1" (for rear mounted drains).

Canopy Installation Instructions *Masonry Applications*

Note: Additional Support Columns and Pipe Hangers may be required for larger Canopies and/or higher wind loads.

Step 1 Install Lower Support Bolts

1A - Center canopy over door. Mark wall at locations where pre-attached canopy rafter angle holes meet wall.

1B - Drill holes in masonry and install wall anchors sized to accept 1/2" bolts and appropriate design for masonry type. (Note: wall anchors by others)

1C - Insert 1/2" X 3" bolt with washer through canopy angle and into wall anchor.

Step 2 Attach Pipe Hangers to Canopy

2A - Thread 1/2" nut on one end of the pipe hanger rod end, slide on 1/2" washer and insert into hole on top of canopy rafter.

2B - Secure with 1/2" nuts and washers on underside of rafter.

Step 3 Attach Pipe Hangers to Wall

3A - Locate elevation at the point where opposite rod end will penetrate the wall.

3B - Drill holes in masonry and install wall anchors sized to accept 1/2" bolts and appropriate design for masonry.

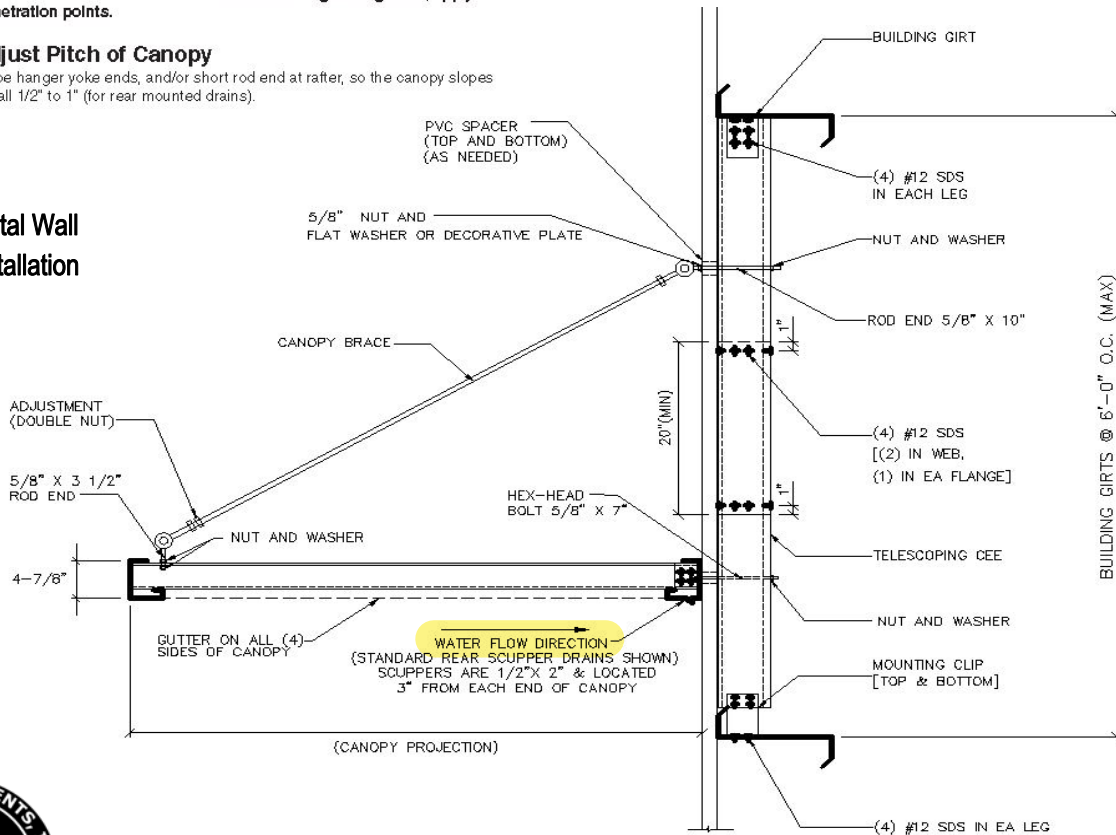
3C - Thread rod end into wall anchor.

3D - Attach rod end to pipe hanger with devis pin.

Step 4 Adjust Pitch of Canopy

4A - Adjust pipe hanger yoke ends, and/or short rod end at rafter, so the canopy slopes back toward wall 1/2" to 1" (for rear mounted drains).

Metal Wall Installation



DESIGN COMPONENTS, INC. Serving The Metal Building Industry Since 1978

115 Walter Way	Fayetteville, GA 30214	email: sales@designcomponents.com
PH (800) 868-9910	FX (770) 460-7872	website: www.designcomponents.com



INSTALLATION INSTRUCTIONS

CANOPY

METAL PANEL APPLICATIONS

Note: Additional support columns and pipe hangers may be required for larger canopies and/or higher wind loads.

STEP 1: Install Vertical Support Columns

Note: Install vertical support columns to girt framing. (Girt spacing max 6'0")

1.a – Center canopy over door. If necessary, shift canopy toward door knob so that pipe hangers penetrate in the high or low areas of panel. When the canopy is positioned at the desired location match drill 11/16" holes through pre-drilled canopy angle holes. (These holes are aligned with the center of the zee rafter holes used for the pipe hangers at the wall attachment angle of the canopy.)

1.b – Align centerline of support columns with 11/16" holes drilled in step 1.a and centerline of zee rafters on canopy between girts. Make sure support columns are perpendicular to top and bottom girt. Attach mounting clips to each end of telescoping support columns with (4) #12 SDS per clip. Slide adjust columns to proper length in order to fit between girts (6' maximum). Secure columns to girts with (4) #12 SDS per clip. Install (2) #12 SDS in the web and (1) in each flange at top and bottom of overlap in channels.

STEP 2: Install Lower Support Bolts

2.a – Match drill through previously drilled holes in wall panel through centerline of support columns.

2.b – With canopy repositioned and matching holes in canopy and wall panel aligned, attach canopy to wall panel and support column using 5/8" x 7" bolt with washer. (If hole penetrates the high rib of the panel, use PVC spacer between wall panel and support column.) (Typical each side.)

Note: Before tightening bolts, apply sealant at penetration points.

STEP 3: Attach Pipe Hangers to Canopy

3.a – Thread 5/8" nut on the short rod end, slide on 5/8" washer and insert into hole on top of canopy rafter. Secure with 5/8" nuts and washers on underside of rafter. (Typical for each pipe hanger.)

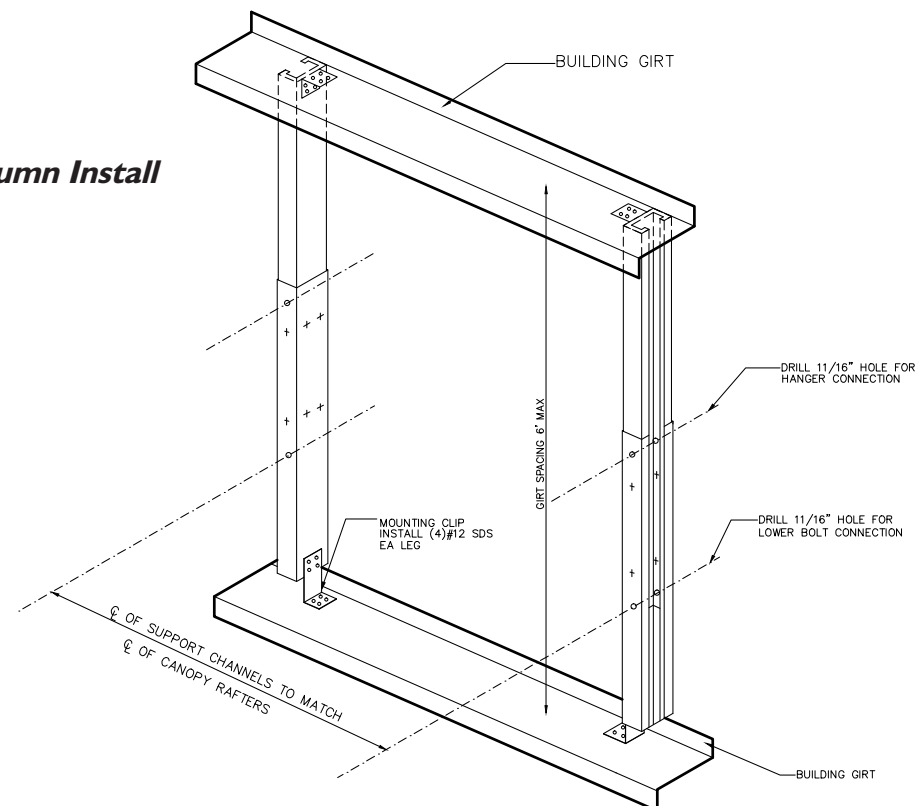
STEP 4: Attach Pipe Hangers to Wall

4.a – Locate the elevation at the point where long rod end will penetrate the wall. Drill 11/16" hole through panel and support columns. Thread 5/8" nut on long rod end and slide on 5/8" washer. Insert long rod through wall panel and support columns. Secure at support column with 5/8" nuts and washers. **Note:** Before tightening bolts, apply sealant at penetration points.

STEP 5: Adjust Pitch of Canopy

5.a – Adjust pipe hanger yoke ends, and/or short rod end at rafter, so the canopy slopes back toward wall 1/2" to 1" (for rear mounted drains).

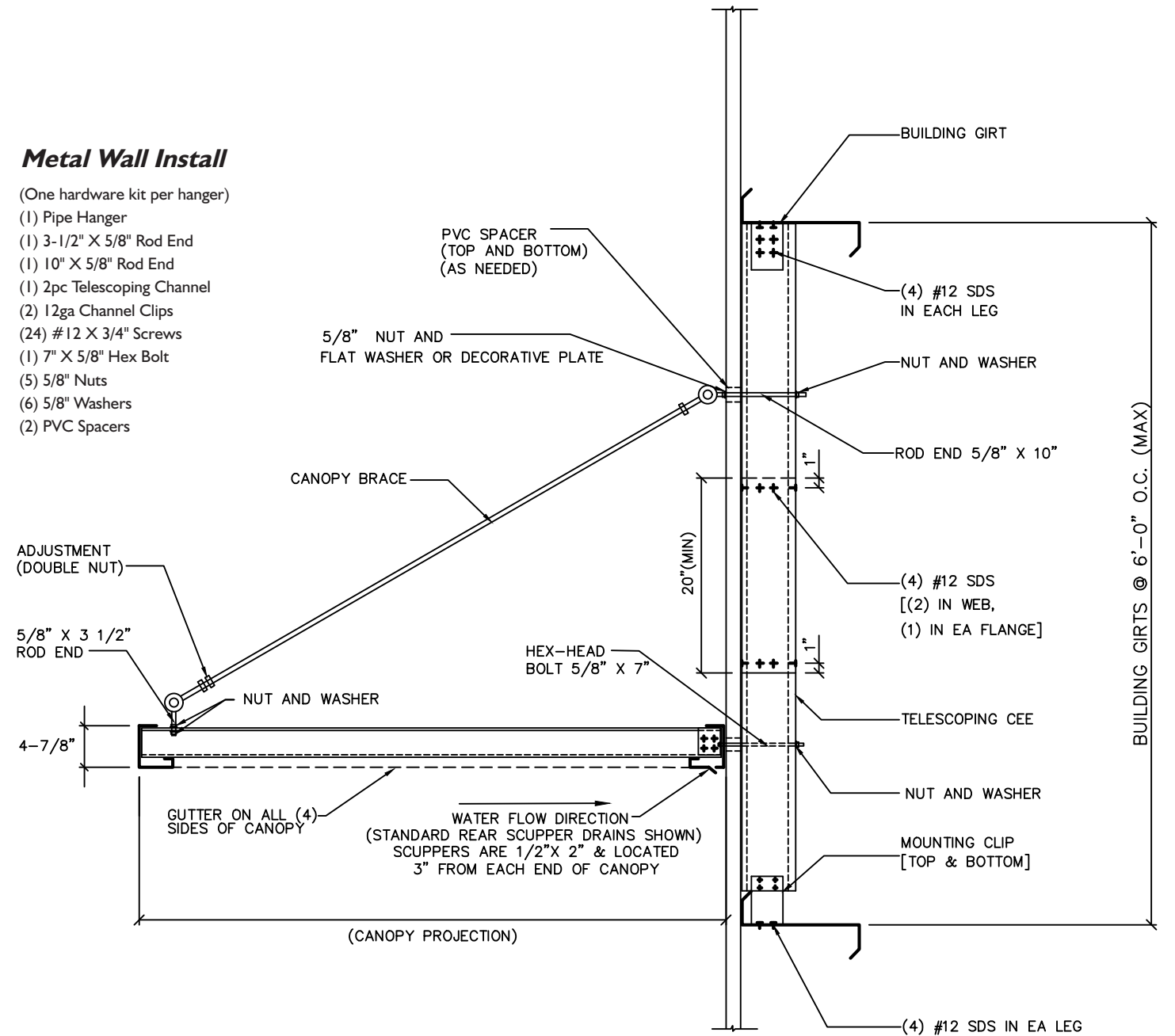
Support Column Install



Metal Wall Install

(One hardware kit per hanger)

- (1) Pipe Hanger
- (1) 3-1/2" X 5/8" Rod End
- (1) 10" X 5/8" Rod End
- (1) 2pc Telescoping Channel
- (2) 12ga Channel Clips
- (24) #12 X 3/4" Screws
- (1) 7" X 5/8" Hex Bolt
- (5) 5/8" Nuts
- (6) 5/8" Washers
- (2) PVC Spacers



Note: See other side for multiple canopy installation instructions



INSTALLATION INSTRUCTIONS

CANOPY

MASONRY APPLICATIONS

Note: Additional pipe hangers may be required for larger canopies and/or higher wind loads.

STEP 1: Install Lower Support Bolts

1.a – Center canopy over door. Mark well at locations where pre-attached canopy rafter angle holes meet wall.

1.b – Drill holes in masonry and install wall anchors sized to accept 5/8" bolts and appropriate design for masonry type.

Note: Wall anchors by others.

1.c – Insert 5/8" x 3" bolt with washer through canopy angle and into wall anchor.

STEP 2: Attach Pipe Hangers to Canopy

2.a – Thread 5/8" nut on one end of the pipe hanger rod end, slide on 5/8" washer and insert into hole on top of canopy rafter.

2.b – Secure with 5/8" nuts and washers on underside of rafter.

STEP 3: Attach Pipe Hangers to Wall

3.a – Locate elevation at the point where opposite rod end will penetrate the wall.

3.b – Drill holes in masonry and install wall anchors sized to accept 5/8" bolts and appropriate design for masonry. **Note:** Wall anchors by others.

3.c – Insert 5/8" x 3.5" thread rod end into wall anchor.

3.d – Attach rod end to pipe hanger with clevis pin.

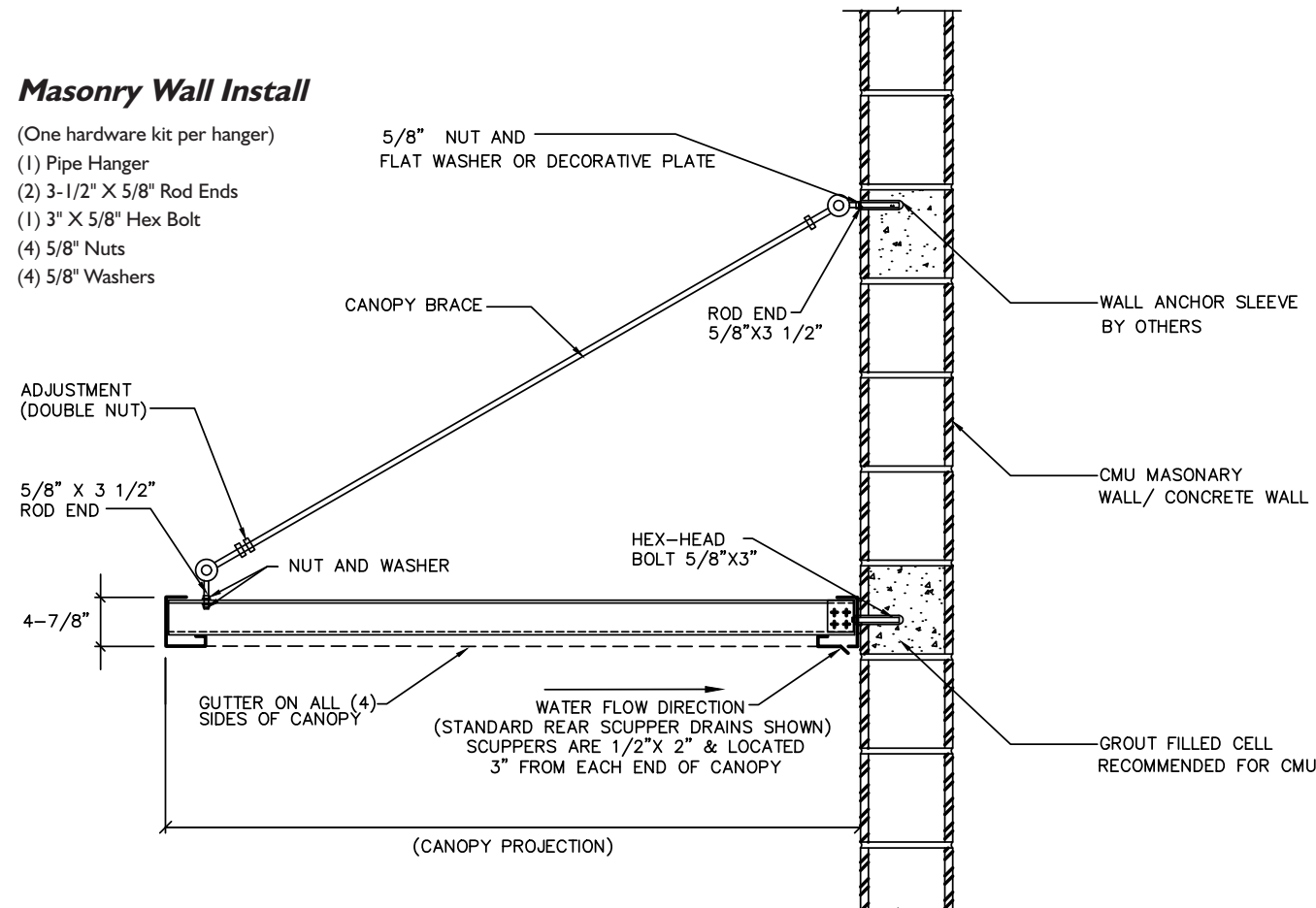
STEP 4: Adjust Pitch of Canopy

4.a – Adjust pipe hanger yoke ends, and/or short rod end at rafter, so the canopy slopes back toward wall 1/2" to 1" (for rear mounted drains).

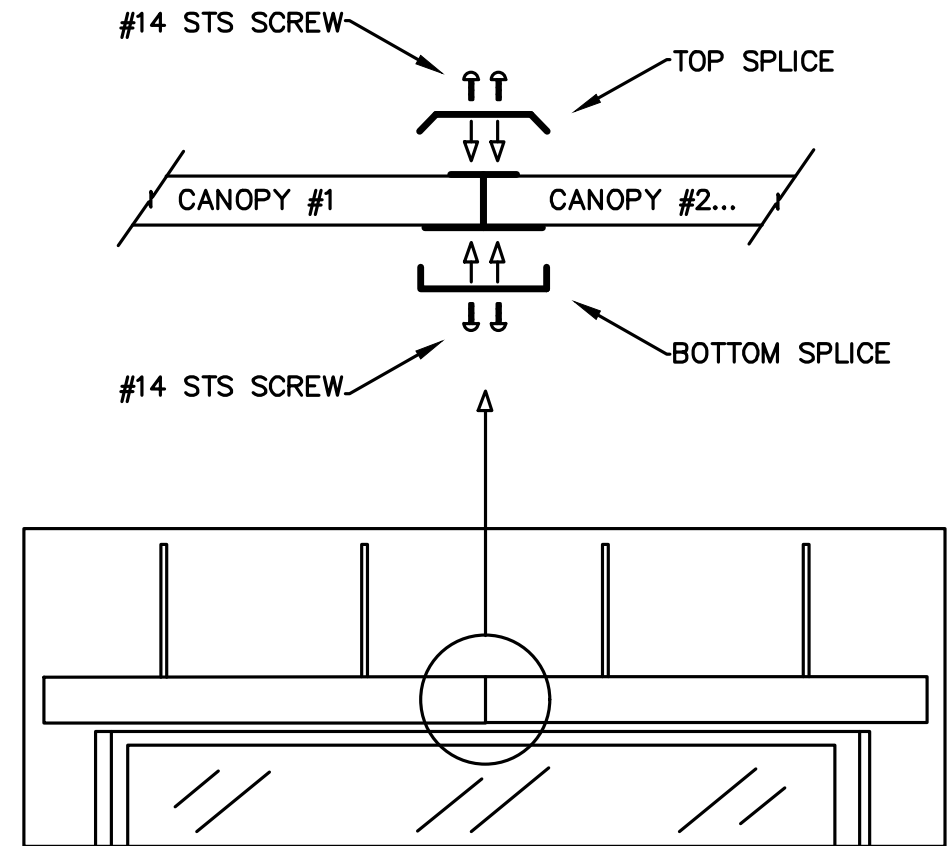
Masonry Wall Install

(One hardware kit per hanger)

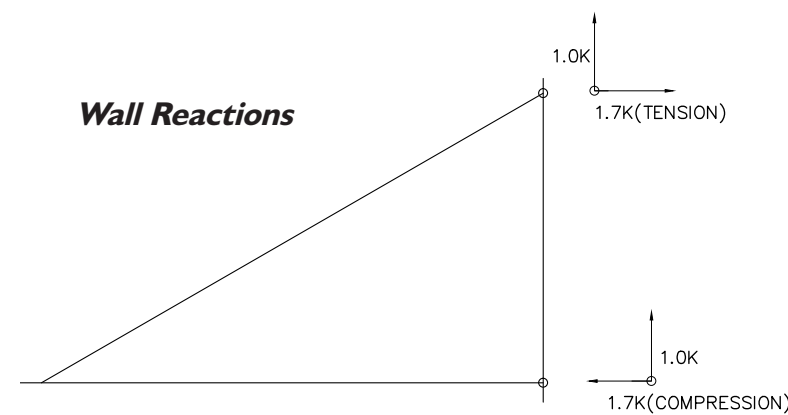
- (1) Pipe Hanger
- (2) 3-1/2" X 5/8" Rod Ends
- (1) 3" X 5/8" Hex Bolt
- (4) 5/8" Nuts
- (4) 5/8" Washers



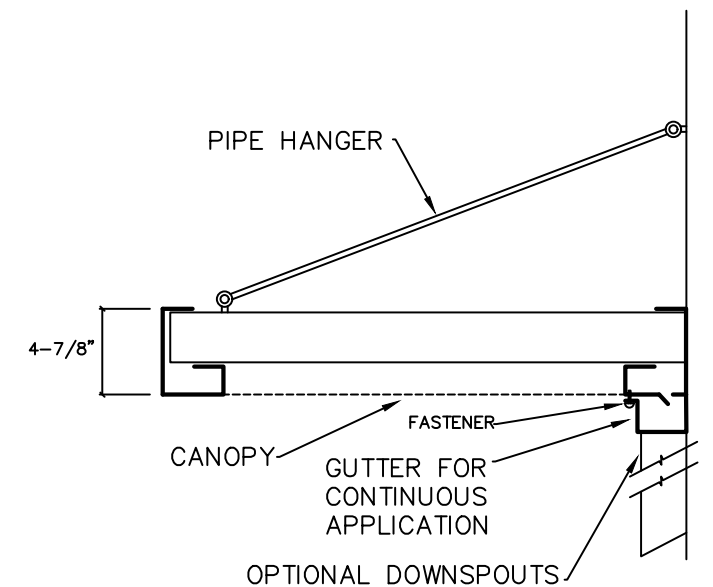
Multiple Canopy Install



Wall Reactions



NOTE:
THE REACTIONS SHOWN ARE FOR SNOW LOAD. FOR WIND LOAD THE REACTIONS WILL ACT IN THE OPPOSITE DIRECTION.



COMMERCIAL/INDUSTRIAL COLOR CHART

❖ SIGNATURE® 200 Standard Colors

SILICONIZED
POLYESTER

Polar White is a Straight Polyester.

26-GAUGE MATERIAL

- Final color selection should be made from actual color chips.
- For the most current information available, visit our website at www.mbc.com.
- See product selection chart for gauge and color availability.
- All products available in smooth or embossed finish.
- Trim available in all colors.
- A 25-year limited paint warranty available for all colors upon written request, please inquire. (Outside the continental United States, please inquire.)
- Signature® is a registered trademark of NCI Group, Inc. KYNAR 500® is a registered trademark of Arkema, Inc. HYLAR 5000® is a registered trademark of Solvay Solexis.

* Also available in 29-gauge



HAWAIIAN BLUE★

SR .32 SRI 35



CRIMSON RED★

SR .33 SRI 34



FERN GREEN★

SR .28 SRI 29



BURNISHED SLATE★

SR .28 SRI 29



ASH GRAY★

SR .48 SRI 56



SADDLE TAN★

SR .48 SRI 56



DESERT SAND★

SR .42 SRI 48



KOKO BROWN★

SR .28 SRI 30



CHARCOAL GRAY★

SR .28 SRI 30



POLAR WHITE*★

SR .58 SRI 69



RUSTIC RED★

SR .36 SRI 40



LIGHT STONE★

SR .50 SRI 58



GALLERY BLUE★

SR .28 SRI 30