

METAL BUILDING ROOF CURB (DOUBLE) - ORDER FORM

OUTER FLASHING CURB

STANDARD FEATURES

- 18 Ga. AZ55 galvalume steel
- Corners mitered & welded watertight
- Curb welds primed after fabrication
- Water cricket
- 8" minimum height
- Includes gasket & mastic
- Internal angle reinforcing
- 1 1/2" thick - 3# density fiberglass insulation

OPTIONS

- _____
- _____
- _____
- _____
- _____

PROJECT DETAILS

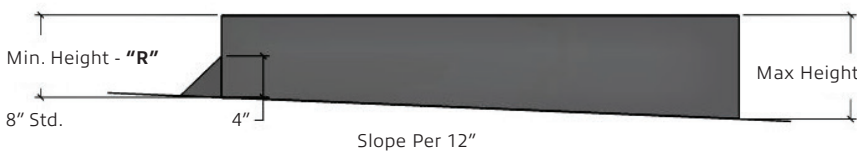
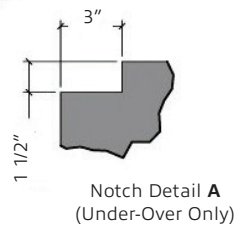
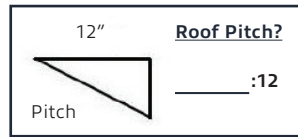
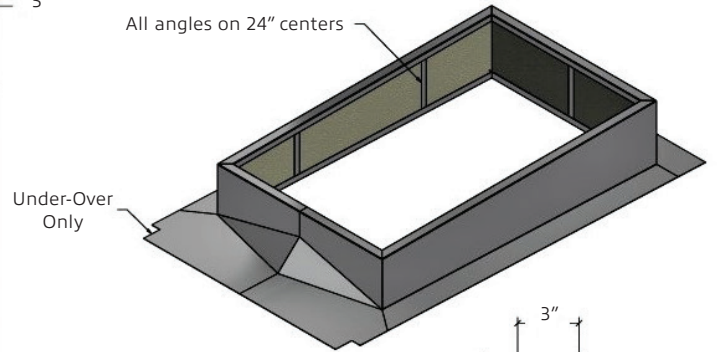
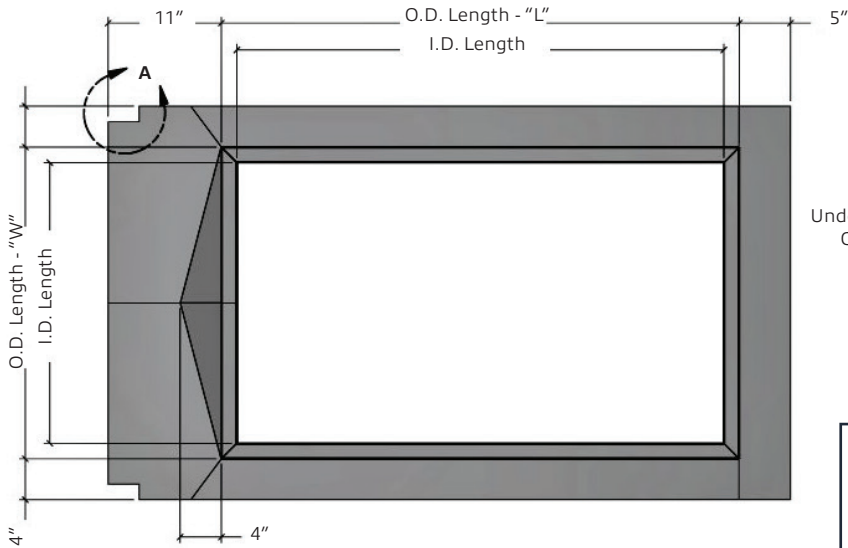
PROJECT NAME: _____

SITE ADDRESS: _____

CITY: _____

STATE: _____ ZIP: _____

JOB NUMBER: _____



Loose Ribs?	Welded Ribs?
<input type="checkbox"/> Under/Over	<input type="checkbox"/> Under/Over
<input type="checkbox"/> Over/Over	<input type="checkbox"/> Over/Over

**T-Style panels require loose or welded clips on tall side of curb only

Rib Style Required?

SSR-Style Panel

R-Style Panel

T-Style Panel**

Additional Details Required?

Roof Panel Name? _____

Paint Mfg.? _____

Paint Color? _____

Splice? Yes No

Fasteners? Yes No

Caulk? Yes No

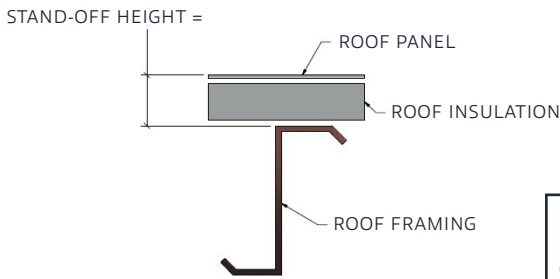
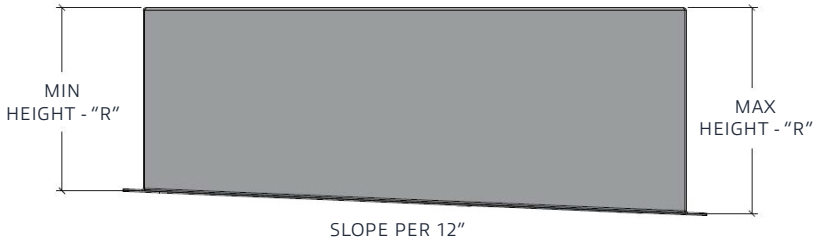
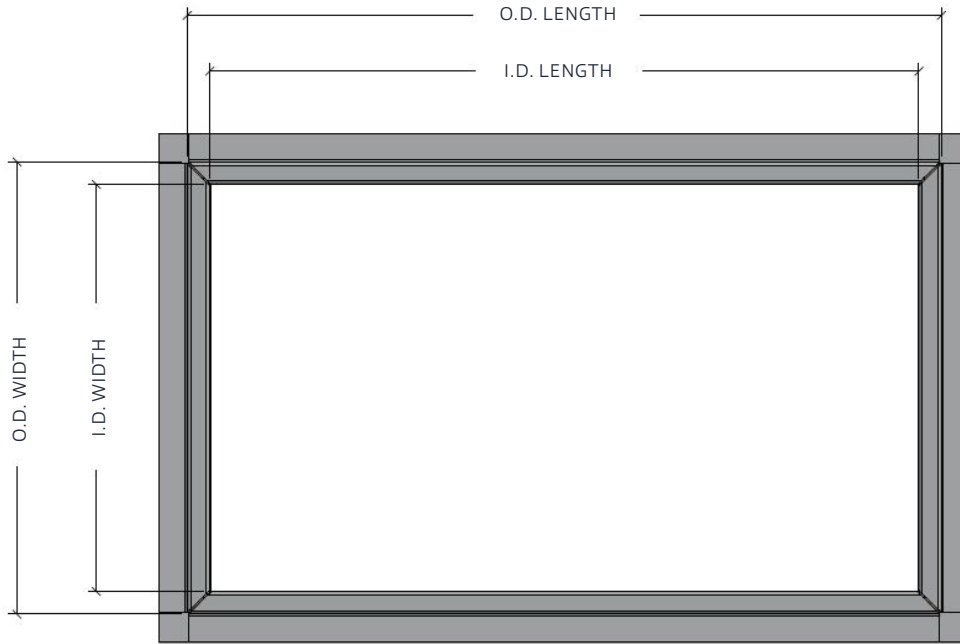
QUANTITY	INSIDE DIMENSION "W" x "L"	OUTSIDE DIMENSION "W" x "L"	HEIGHT "R"	TAG
	X	X		
	X	X		
	X	X		
	X	X		
	X	X		



SIGN FOR APPROVAL: _____ DATE: _____

METAL BUILDING ROOF CURB (DOUBLE) - ORDER FORM

INNER STRUCTURAL CURB

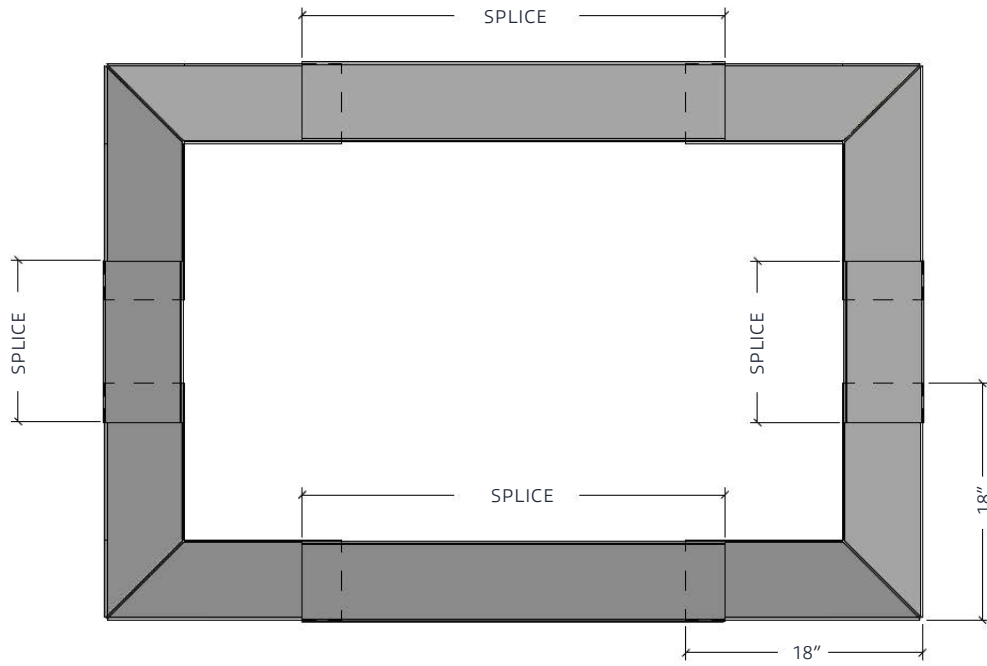


STAND-OFF HEIGHT TO BE INCLUDED IN CURB HEIGHT FOR FLASHING CLEARANCE (17" MIN. STANDARD HEIGHT=UP TO 1")

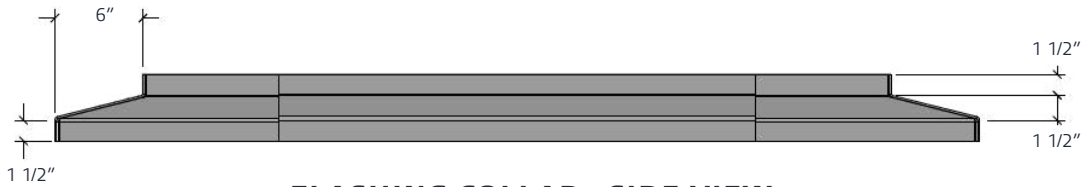
QUANTITY	INSIDE DIMENSION "W" x "L"	OUTSIDE DIMENSION "W" x "L"	HEIGHT "R"	TAG
	x	x		
	x	x		
	x	x		
	x	x		
	x	x		



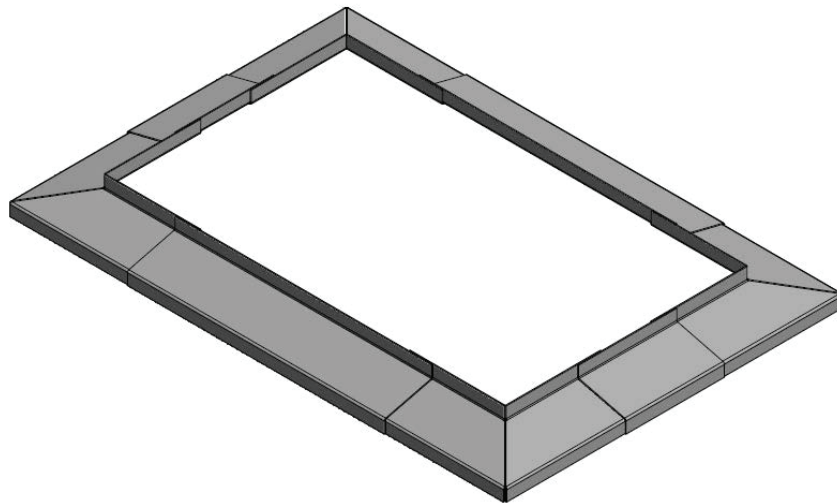
SPLICED FLASHING COLLAR



FLASHING COLLAR - TOP VIEW



FLASHING COLLAR - SIDE VIEW



****ALL SPLICE DIMENSIONS DETERMINED BY INNER CURB DIMENSIONS PROVIDED ON PAGE 2****