

# ALUMINUM SEAMED IN STYLE CURB - ORDER FORM

## STANDARD FEATURES

1. .080 Aluminum construction
2. Corners mitered and welded watertight
3. Curbs prime painted after fabrication
4. Water cricket (diverter)
5. 8" minimum height
6. Internal angle reinforcing
7. 1 1/2" thick, 3 # density fiberglass
8. Extended flanges
9. Full length side ribs

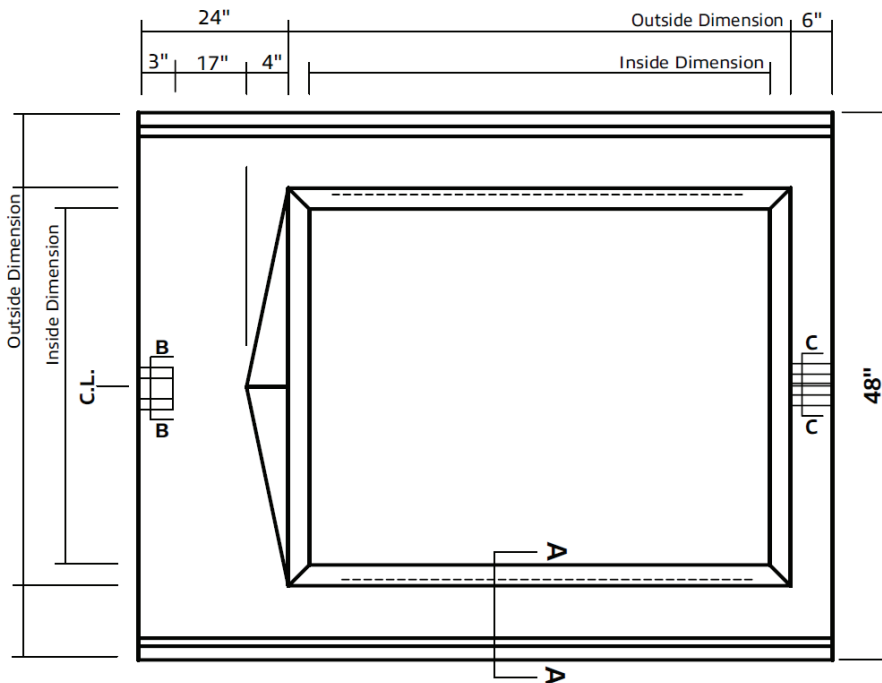
## OPTIONS

1. \_\_\_\_\_
2. \_\_\_\_\_
3. \_\_\_\_\_
4. \_\_\_\_\_
5. \_\_\_\_\_

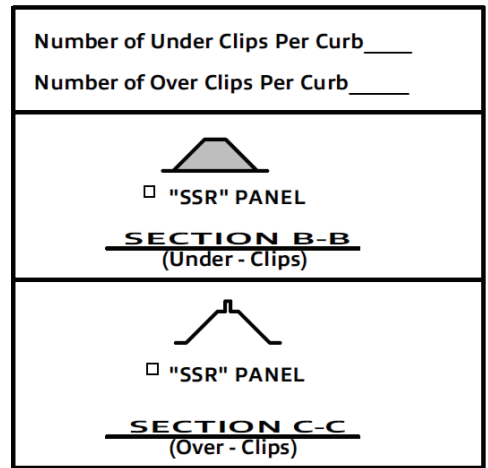
## PROJECT DETAILS

PROJECT NAME: \_\_\_\_\_  
 \_\_\_\_\_  
 SITE ADDRESS: \_\_\_\_\_  
 \_\_\_\_\_  
 CITY: \_\_\_\_\_  
 STATE: \_\_\_\_\_ ZIP: \_\_\_\_\_  
 JOB NUMBER: \_\_\_\_\_

**Note: The Front Flange Fits Under the Roof Panel**  
**The Rear and Side Flanges Fit Over the Roof Panel**

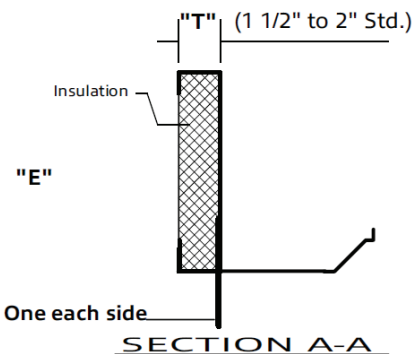
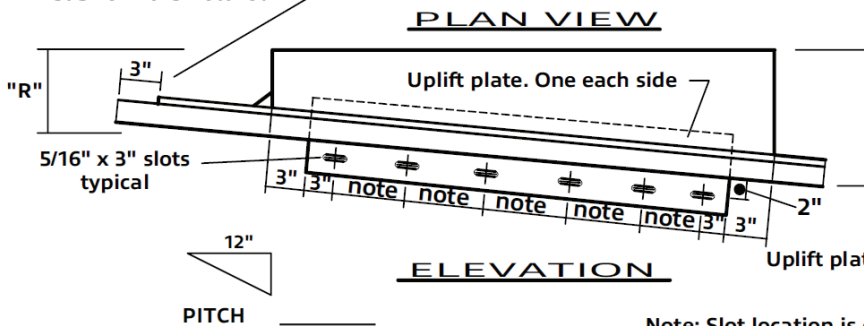


CLIPS TO MATCH THIS ROOF PANEL \_\_\_\_\_



**MAX CURB O.D. IS 36" WITH THIS NO. OF RIBS**

NOTE: 1st 3" of rib is notched



Note: Slot location is determined by the curb length.  
 Maximum spacing is 12" O.C.

QTY	INSIDE DIMENSION	OUTSIDE DIMENSION	"R"	"E"	"T"	TAG
	x	x				
	x	x				
	x	x				



SIGN FOR APPROVAL: \_\_\_\_\_ DATE: \_\_\_\_\_