



SIGNATURE™ SERIES SKYLIGHT

PRISMATIC STYLE LENS



SPECIFICATIONS

CONSTRUCTION

- Extruded aluminum, with natural mill finish
- Frames have integral condensation and weepage gutters which drain interior moisture to the outside
- FGIA Certified 800MD Frame Design
- Corners are mitered and welded
- Proprietary dome and prismatic-lens design
- Skylights glazed using 100%, Impact Modified CC2 Prismatic Acrylic and/or CC1 rated, Prismatic polycarbonate in a Signature Series Dome configuration
- FM Approved Skylights are Double glazed using CLEAR ARMOR® Clear Polycarbonate Prismatic over CLEAR ARMOR® High White Polycarbonate Prismatic lens, CC1/Class A Rated, FM Approved
- Pre-installed foam-curb gasket - comes standard with multi-glazed skylights
- Integrated curb weather sweep - comes standard with multi-glazed skylights
- Class 3 and Class 4 Hail Ratings

STANDARD SIZES

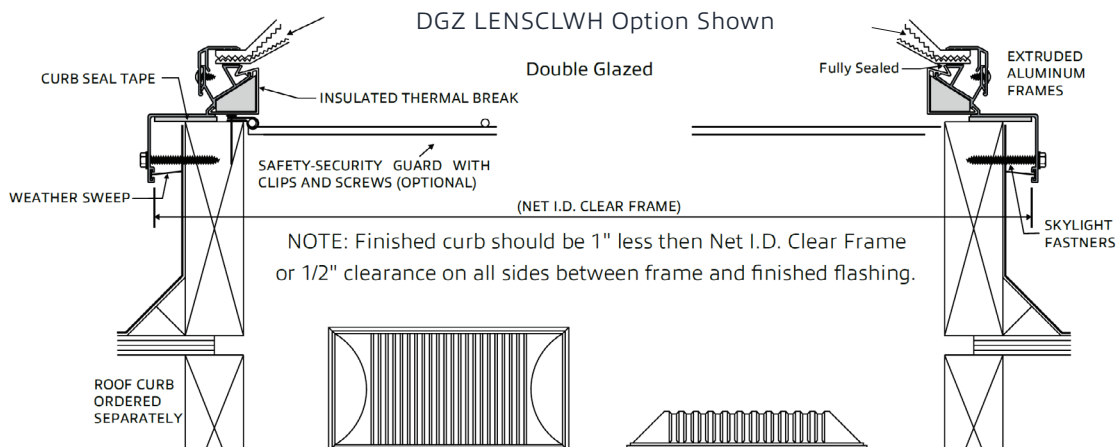
- Available in standard sizes from 2'x2' to 5'x10'
- Custom sizes available
- Min/Max Width: 27.250 inches / 63.250 inches
- Min/Max Length: 27.250 inches / 123.250 inches

AVAILABLE CERTIFICATIONS

- FM Approval # 4431
- FBC 2020 - FL14086-R4 HVHZ Approved
- Miami-Dade County, Florida, NOA No. 21-0318.03, Expiration Date 05/20/2026
- UL Listed
- NFRC Certified
- CE Certified
- Class 3 and Class 4 Hail Ratings Available



PRODUCT PROFILE:



ORDERING LOGIC

ID FRAME CALL-OUT

2020	27-1/4" x 27-1/4"
2040	27-1/4" x 51-1/4"
2080	27-1/4" x 99-1/4"
20100	27-1/4" x 123-1/4"
3030	39-1/4" x 39-1/4"
3050	39-1/4" x 63-1/4"
3060	39-1/4" x 75-1/4"
3080	39-1/4" x 99-1/4"
30100	39-1/4" x 123-1/4"
4040	51-1/4" x 51-1/4"
4050	51-1/4" x 63-1/4"
4060	51-1/4" x 75-1/4"
4070	51-1/4" x 87-1/4"
4080	52-1/4" x 100-1/4"
40100	52-1/4" x 123-1/4"
5050	63-1/4" x 63-1/4"
5060	63-5/8" x 75-5/8"
5558	67-3/4" x 70-3/4"
5070	63-1/4" x 87-1/4"
5080	63-1/4" x 99-1/4"
50100	63-1/4" x 123-1/4"

Use **CUST** for Custom sized units.*

ID FRAME WIDTH

W27.250	Width 27.250 inches
W27.250	Width 27.250 inches
W27.250	Width 27.250 inches
W27.250	Width 27.250 inches
W39.250	Width 39.250 inches
W39.250	Width 39.250 inches
W39.250	Width 39.250 inches
W39.250	Width 39.250 inches
W39.250	Width 39.250 inches
W39.250	Width 39.250 inches
W51.250	Width 51.250 inches
W51.250	Width 51.250 inches
W51.250	Width 51.250 inches
W51.250	Width 51.250 inches
W51.250	Width 51.250 inches
W52.250	Width 52.250 inches
W52.250	Width 52.250 inches
W63.250	Width 63.250 inches
W63.625	Width 63.625 inches
W67.750	Width 67.750 inches
W63.250	Width 63.250 inches
W63.250	Width 63.250 inches
W63.250	Width 63.250 inches
W63.250	Width 63.250 inches
W . . .	Custom Width*

ID FRAME LENGTH

L27.250	Length 27.250 inches
L51.250	Length 51.250 inches
L99.250	Length 99.250 inches
L123.250	Length 123.250 inches
L39.250	Length 39.250 inches
L63.250	Length 63.250 inches
L75.250	Length 75.250 inches
L99.250	Length 99.250 inches
L123.250	Length 123.250 inches
L51.250	Length 51.250 inches
L63.250	Length 63.250 inches
L75.250	Length 75.250 inches
L87.250	Length 87.250 inches
L100.250	Length 100.250 inches
L123.250	Length 123.250 inches
L63.250	Length 63.250 inches
L75.625	Length 75.625 inches
L70.750	Length 70.750 inches
L87.250	Length 87.250 inches
L99.250	Length 99.250 inches
L123.250	Length 123.250 inches
L . . .	Custom Length*

GLAZING

SGZ Single Glaze
DGZ Double Glaze
TGZ Triple Glaze

LENS MATERIAL

CC1 Polycarbonate
CC1CC2 Poly/Acrylic
CC1P125 1/8" Poly (Only available for skylights with a width of up to 52-1/4")

UNIT TYPE

800MD Standard Frame
800SC So-Cal Skylight

LENS COLOR

LENSWH White (Single Glaze Default) ¹
LENSCL Clear ¹
LENSWHCL White Clear ²
LENSCLWH Clear White (Double Glaze Default) ²
LENSWHWH White White ²
LENSCLCL Clear Clear ²
LENSWHWHWH White White White ³
LENSCLCLCL Clear Clear Clear ³
LENSCLWHCL Clear White Clear (Triple Glaze Default) ³
LENSWHCLWH White Clear White ³
LENSCLWHWH Clear White White ³
LENSWHCLCL White Clear Clear ³

OPTIONS

(blank) No Options
FMRTG Factory Mutual Approved
HVHZ High Velocity Hurricane Zone/ Miami Dade NOA***
CE European Standard Certified
ITBR Insulated thermal break ¹
NITBR No Insulated Thermal Break ^{2,3}
WSW Weather Sweep** ¹
NWSW No Weather Sweep ^{2,3}

SKYLIGHT FRAME FINISH

MI Mill (Default)
WH White
BZ Bronze
CF Custom

IMPORTANT: Consult factory for anything outside of minimum and maximum range.
Min/Max Width: 27.250 inches / 63.250 inches
Min/Max Length: 27.250 inches / 123.250 inches

* mold fee may apply
** weather sweep available with Mill finish only
***Select CC1CC2 Lens material for HVHZ skylights (includes: FL 14086-R4 & Miami-Dade County, Florida, NOA No. 21-0318.03. Exp: 05/20/26).

1) Single Glaze 2) Double Glaze 3) Triple Glaze

2 of 2