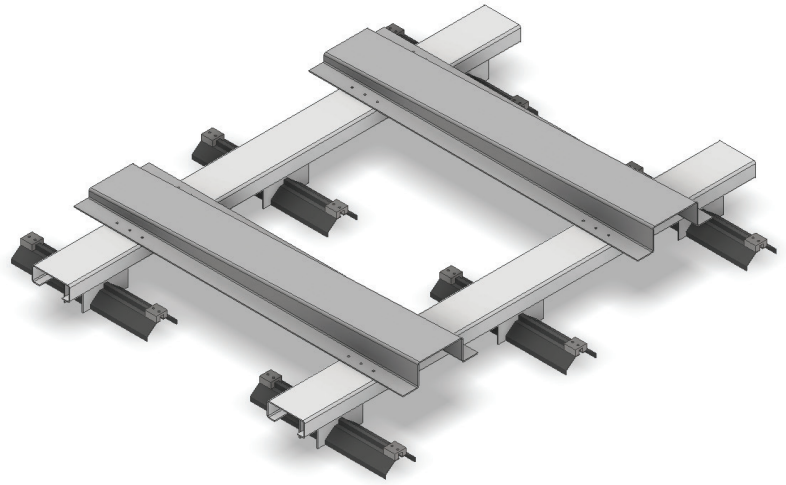




CONDENSER PLATFORM



SPECIFICATIONS

CONSTRUCTION & DESIGN

- Fabricated from commercial quality Galvalume Steel or .080 Aluminum (Frame members shall be no less than .062")
- Attachment to SSR Panels using S-5!® Clamps
- Pitch corrected for sloped roofs
- Multiple units can be installed in series
- Adjustable widths for field loactions
- Finish to be Mill
- Option: Painted to match roof

