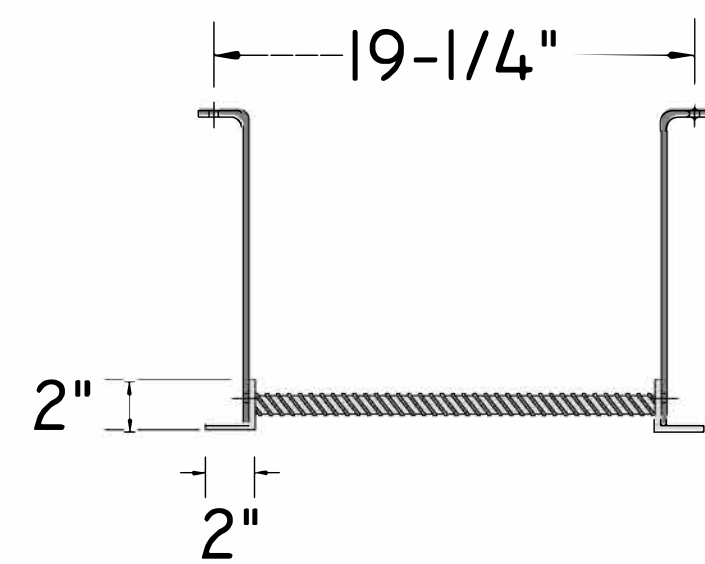
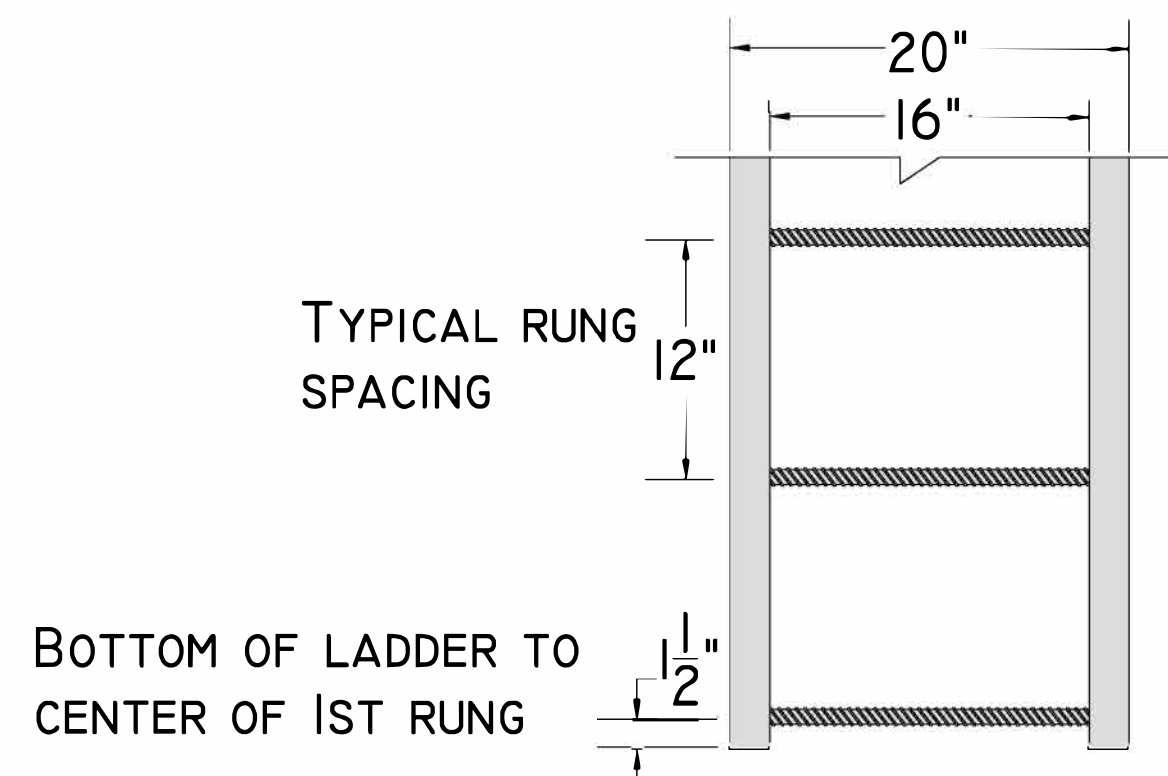


12" LOOSE MOUNTING BRACKET  
(7" MIN. - ADDITIONAL LENGTHS AVAILABLE)

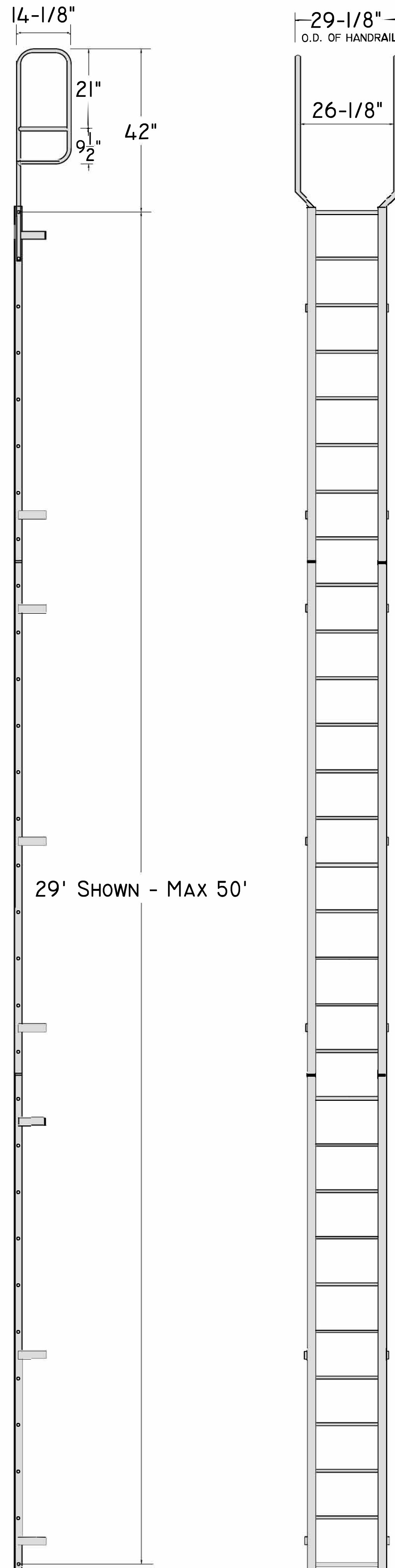


MOUNTING DIMENSION FOR LOOSE BRACKETS



TYPICAL RUNG SPACING

BOTTOM OF LADDER TO CENTER OF 1ST RUNG



QTY	HEIGHT TOP TO BOTTOM RUNG	OVERALL HEIGHT	MODEL #	WEIGHT LBS	STEP-OFF PLATFORM LEFT OR RIGHT	POWDER COAT YELLOW FINISH	HOT DIP GALV FINISH	NOTES
	7'	10' 8"	F8W	212				
	8'	11' 8"	F9W	224				
	9'	12' 8"	F10W	232				
	10'	13' 8"	F11W	241				
	11'	14' 8"	F12W	262				
	12'	15' 8"	F13W	282				
	13'	16' 8"	F14W	299				
	14'	17' 8"	F15W	313				
	15'	18' 8"	F16W	338				
	16'	19' 8"	F17W	357				
	17'	20' 8"	F18W	377				
	18'	21' 8"	F19W	385				
	19'	22' 8"	F20W	407				
	20'	23' 8"	F21W	427				
	21'	24' 8"	F22W	445				
	22'	25' 8"	F23W	460				
	23'	26' 8"	F24W	481				
	24'	27' 8"	F25W	501				
	25'	28' 8"	F26W	521				
	26'	29' 8"	F27W	547				
	27'	30' 8"	F28W	567				
	28'	31' 8"	F29W	587				
	29'	32' 8"	F30W	607				
	30'	33' 8"	F31W	622				
	31'	34' 8"	F32W	642				
	32'	35' 8"	F33W	657				
	33'	36' 8"	F34W	678				
	34'	37' 8"	F35W	698				
	35'	38' 8"	F36W	718				
	36'	39' 8"	F37W	744				
	37'	40' 8"	F38W	764				
	38'	41' 8"	F39W	784				
	39'	42' 8"	F40W	806				
	40'	43' 8"	F41W	820				
	41'	44' 8"	F42W	840				
	42'	45' 8"	F43W	855				
	43'	46' 8"	F44W	876				
	44'	47' 8"	F45W	896				
	45'	48' 8"	F46W	916				
	46'	49' 8"	F47W	942				
	47'	50' 8"	F48W	962				
	48'	51' 8"	F49W	982				
	49'	52' 8"	F50W	1002				
	50'	53' 8"	F51W	1022				

GENERAL NOTES

Design Components, Inc.  
115 Walter Way  
Fayetteville, GA 30214  
800/868-9910  
www.designcomponents.com  
sales@designcomponents.com

- CAGED LADDERS  
STANDARD FEATURES
- 3/4" DIA. RUNGS ON 12" CENTERS
  - 1/2" X 2" X 2" SIDE RAILS
  - WELDED STEEL CONSTRUCTION
  - POWDER COATED SAFETY YELLOW
  - 42" HIGH SELF-SUPPORTING RAILS
  - LOOSE 12" BOLT-ON BRACKETS
  - INSTALLATION BY OTHERS

- AVAILABLE OPTIONS
- 1- HOT DIP GALVANIZED FINISH
  - 2- BOTTOM DOOR W/LOCK
  - 3- STEP-OFF PLATFORM
  - 4- WELDED MOUNTING BRACKETS
  - 5- STEP ACROSS PLATFORMS
  - 6- SAFETY GATE
  - 7- PARAPET WALL CONFIGURATION

- OPTIONS FOR THIS PROJECT
- 1-
  - 2-
  - 3-
  - 4-
  - 5-
  - 6-
  - 7-

No.	REVISION/ISSUE	DATE
-----	----------------	------

FIRM NAME AND ADDRESS

PROJECT NAME AND ADDRESS

PROJECT	SHEET
DATE	1/9/17
SCALE	N.T.S.

**CAGED LADDER**