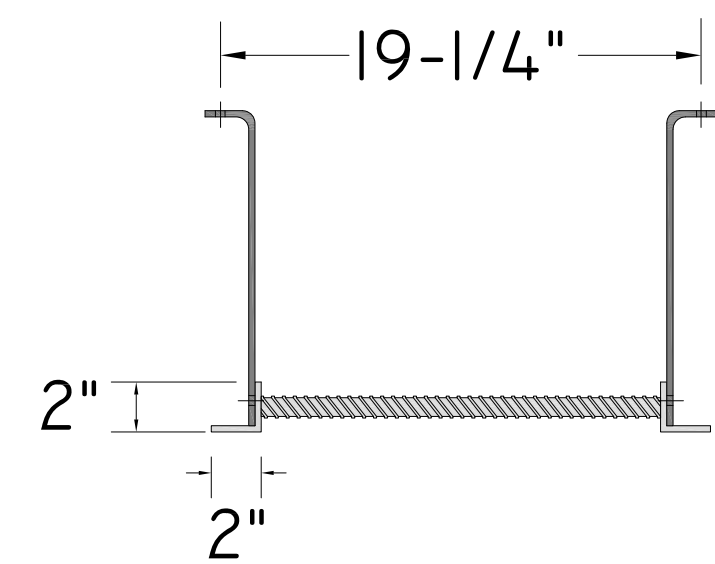
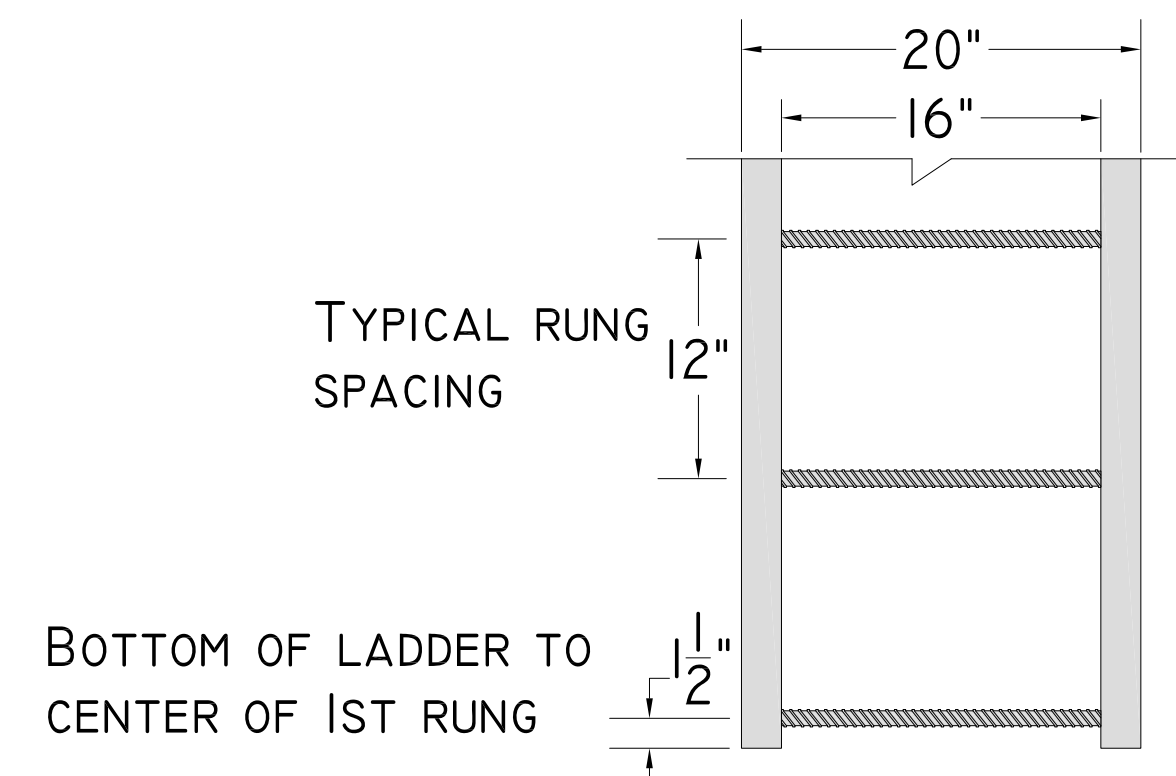


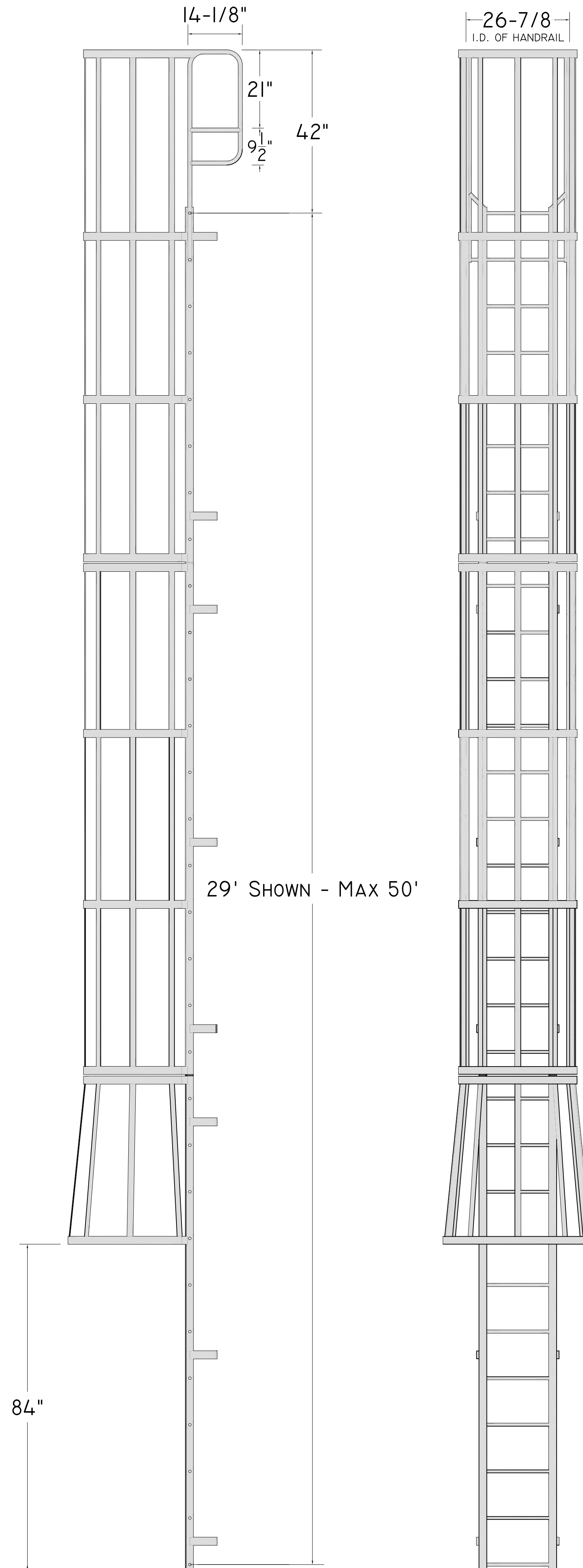
12" LOOSE MOUNTING BRACKET  
(7" MIN. - ADDITIONAL LENGTHS AVAILABLE)



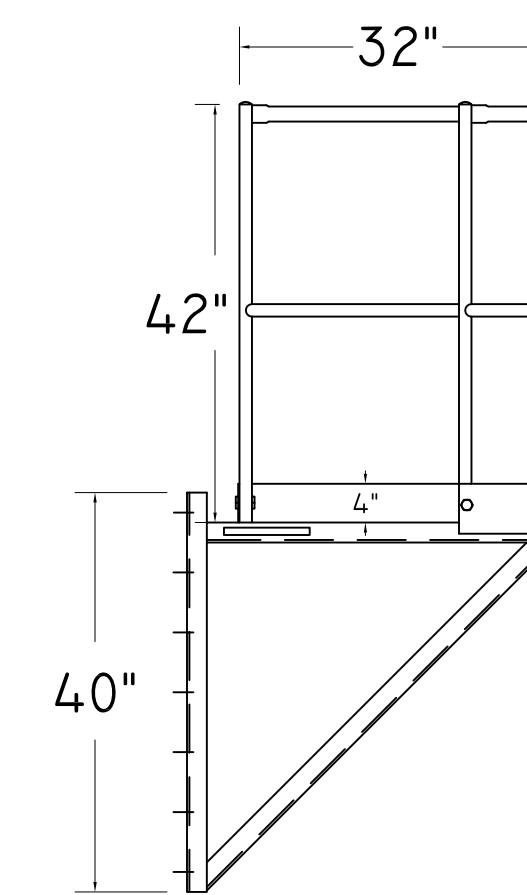
MOUNTING DIMENSION FOR LOOSE BRACKETS



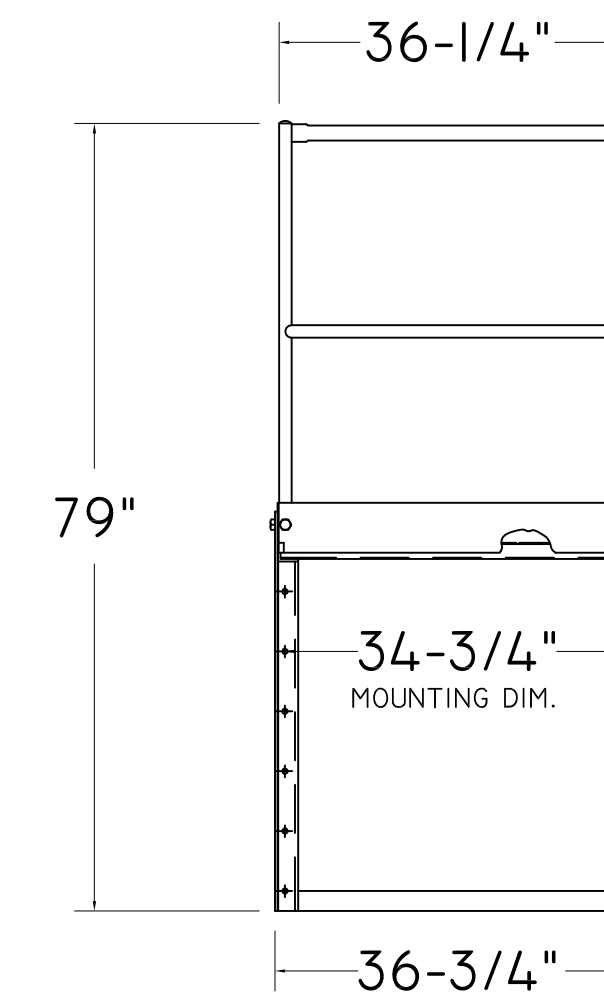
BOTTOM OF LADDER TO CENTER OF 1ST RUNG



QTY	HEIGHT TOP TO BOTTOM RUNG	OVERALL HEIGHT	MODEL #	WEIGHT LBS	STEP-OFF PLATFORM LEFT OR RIGHT	POWDER COAT YELLOW FINISH	HOT DIP GALV FINISH	NOTES
	7'	10' 8"	F8WC	212				
	8'	11' 8"	F9WC	224				
	9'	12' 8"	F10WC	232				
	10'	13' 8"	F11WC	241				
	11'	14' 8"	F12WC	262				
	12'	15' 8"	F13WC	282				
	13'	16' 8"	F14WC	299				
	14'	17' 8"	F15WC	313				
	15'	18' 8"	F16WC	338				
	16'	19' 8"	F17WC	357				
	17'	20' 8"	F18WC	377				
	18'	21' 8"	F19WC	385				
	19'	22' 8"	F20WC	407				
	20'	23' 8"	F21WC	427				
	21'	24' 8"	F22WC	445				
	22'	25' 8"	F23WC	460				
	23'	26' 8"	F24WC	481				
	24'	27' 8"	F25WC	501				
	25'	28' 8"	F26WC	521				
	26'	29' 8"	F27WC	547				
	27'	30' 8"	F28WC	567				
	28'	31' 8"	F29WC	587				
	29'	32' 8"	F30WC	607				
	30'	33' 8"	F31WC	622				
	31'	34' 8"	F32WC	642				
	32'	35' 8"	F33WC	657				
	33'	36' 8"	F34WC	678				
	34'	37' 8"	F35WC	698				
	35'	38' 8"	F36WC	718				
	36'	39' 8"	F37WC	744				
	37'	40' 8"	F38WC	764				
	38'	41' 8"	F39WC	784				
	39'	42' 8"	F40WC	806				
	40'	43' 8"	F41WC	820				
	41'	44' 8"	F42WC	840				
	42'	45' 8"	F43WC	855				
	43'	46' 8"	F44WC	876				
	44'	47' 8"	F45WC	896				
	45'	48' 8"	F46WC	916				
	46'	49' 8"	F47WC	942				
	47'	50' 8"	F48WC	962				
	48'	51' 8"	F49WC	982				
	49'	52' 8"	F50WC	1002				
	50'	53' 8"	F51WC	1022				



STEP-OFF PLATFORM SIDE VIEW



STEP-OFF PLATFORM FRONT VIEW

NOTE: STEP-OFF DIRECTION REFERS TO DIRECTION YOU STEP WHEN FACING THE BUILDING.

GENERAL NOTES

Design Components, Inc.  
115 Walter Way  
Fayetteville, GA 30214  
800/868-9910  
www.designcomponents.com  
sales@designcomponents.com

- CAGED LADDERS  
STANDARD FEATURES
- 3/4" DIA. RUNGS ON 12" CENTERS
  - 1/2" X 2" X 2" SIDE RAILS
  - WELDED STEEL CONSTRUCTION
  - POWDER COATED SAFETY YELLOW
  - 42" HIGH SELF-SUPPORTING RAILS
  - LOOSE 12" BOLT-ON BRACKETS
  - INSTALLATION BY OTHERS

- AVAILABLE OPTIONS
- 1- HOT DIP GALVANIZED FINISH
  - 2- BOTTOM DOOR W/LOCK
  - 3- STEP-OFF PLATFORM
  - 4- WELDED MOUNTING BRACKETS
  - 5- STEP ACROSS PLATFORMS
  - 6- SAFETY GATE
  - 7- PARAPET WALL CONFIGURATION

- OPTIONS FOR THIS PROJECT
- 1-
  - 2-
  - 3-
  - 4-
  - 5-
  - 6-
  - 7-

No.	REVISION/ISSUE	DATE

FIRM NAME AND ADDRESS

PROJECT NAME AND ADDRESS

PROJECT	SHEET
DATE	<b>CAGED LADDER</b>
1/9/17	
SCALE	N.T.S.