

S-5![®]

The Right Way!

No other pipe snow retention system on the market has proven stronger than X-Gard[™].

X-Gard[™]

When snow accumulations begin to melt, the result can be catastrophic as the blanket of snow avalanches off the roof, dumping tons of snow onto anything in its path, damaging landscape, gutters, adjacent roofs, vehicles, and causing injury or even death to passers-by.

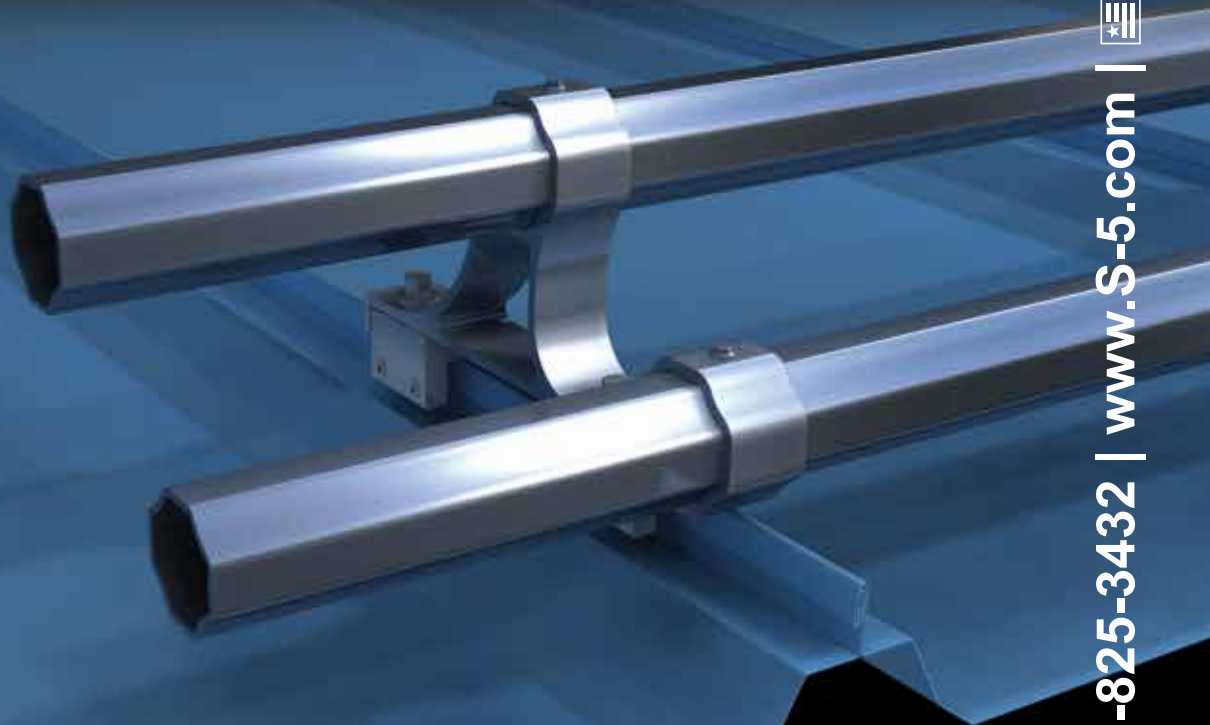
X-Gard[™] is the newest snow retention solution from S-5![®] and can be designed as a one- or two-pipe system spanning up to 48". No other pipe snow retention system on the market has proven stronger than X-Gard.

The innovative double-clamp design allows X-Gard to provide unprecedented holding strength when attached with S-5!'s standard or even mini-sized clamps. The employment of two clamps with each bracket and the unique shape of the NEX[®] 2.0 pipe enables a properly installed X-Gard system to provide a reliable snow retention solution in a wide variety of situations.

X-Gard is mechanically attached with patented round-point setscrews, gripping the seam securely without penetration and without damage to the panel's protective finishes.

This new snow retention solution can be easily retrofitted to existing roofs or incorporated into new construction design. It can be installed any time during the year on almost any metal roof profile.

The right way to attach almost anything to metal roofs!



S-5![®] X-Gard[™]



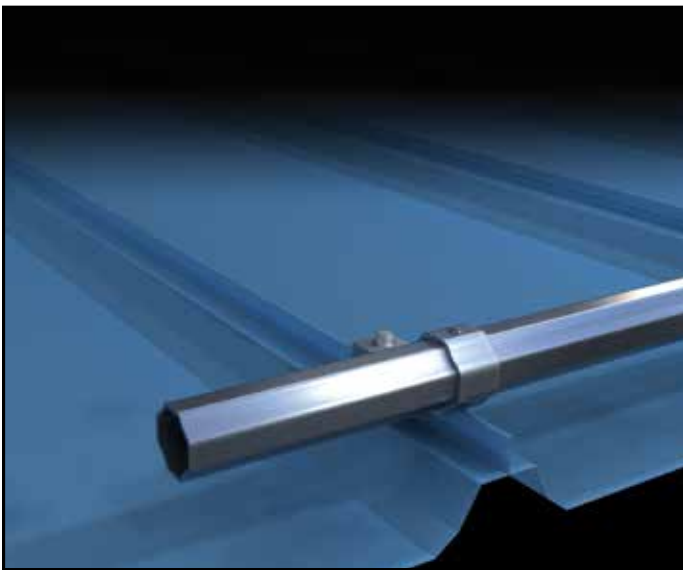
888-825-3432 | www.S-5.com |

X-Gard™ Offers Versatility In Snow Retention

X-Gard™ can be purchased as a one- or two-pipe system, using mini or standard S-5! clamps, depending on project specifics including pitch and snow load.

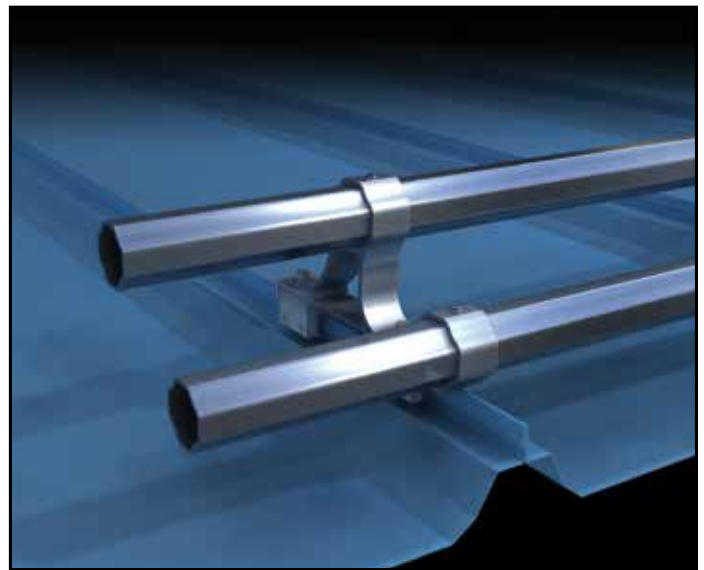
The single- and double-pipe options can also be paired with a locally-purchased round pipe, or, for superior holding strength, X-Gard can be paired with the patented NEX[®] 2.0.

NEX[®] 2.0 is a product of Zilla[®].



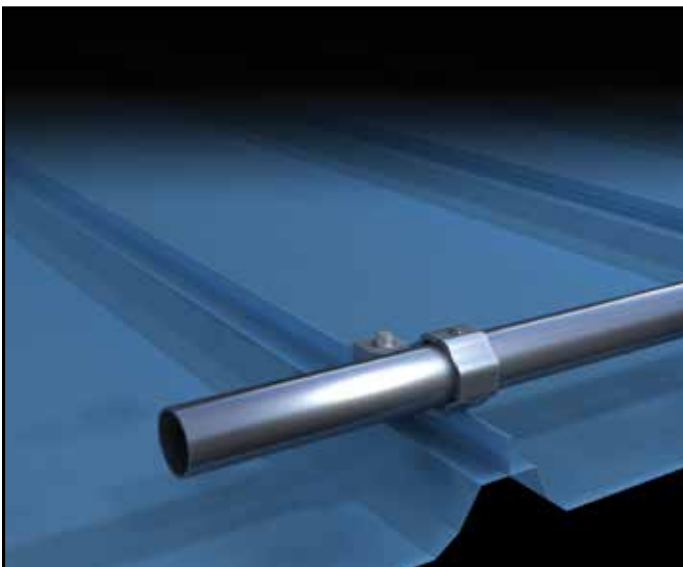
X-Gard 1.0

1-Pipe System Using NEX[®] 2.0



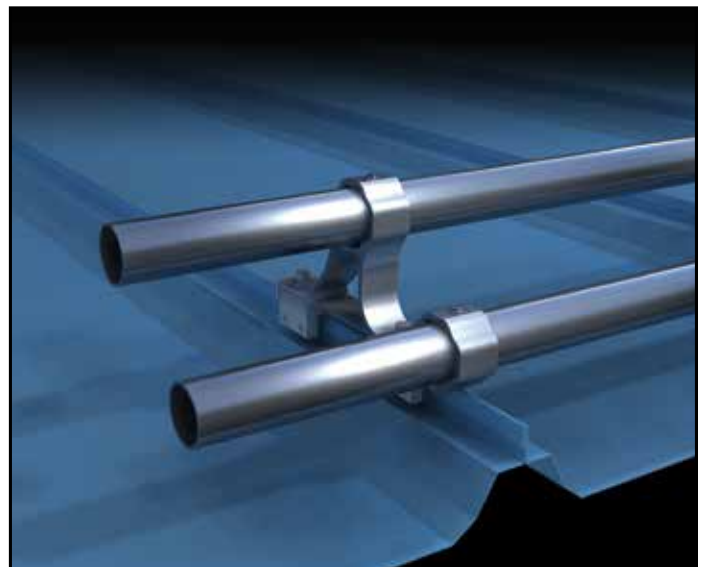
X-Gard 2.0

2-Pipe System Using NEX[®] 2.0



X-Gard 1.0

1-Pipe System Using 1.9" Round Pipe (Supplied by third-party)



X-Gard 2.0

2-Pipe System Using 1.9" Round Pipe (Supplied by third-party)



Lasting Quality

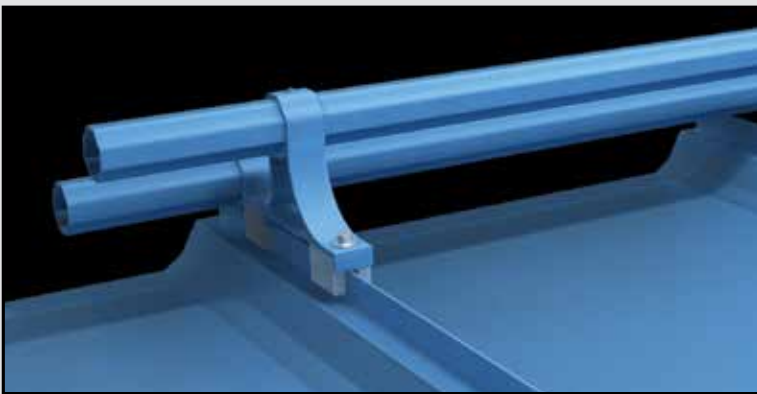
The X-Gard™ brackets, as well as the attachment clamps, are precision-machined, high tensile, aircraft quality aluminum, not cast or plastic. All related hardware is non-ferrous stainless steel for lasting performance.

As is also true of the S-5! ColorGard® and SnoRail™/SnoFence™ snow retention systems, pound-for-pound, X-Gard provides better holding strength than individual cleats.

X-Gard is compatible with most common metal roofing materials. Please visit www.S-5.com for more information including CAD details, metallurgical compatibilities and specifications.

S-5! clamps have been tested for load-to-failure results on most major metal roof brands and profiles. The independent lab test data found at www.S-5.com can be used for load-critical designs and applications.

X-Gard™ Finish Options



X-Gard snow retention system is designed to preserve the coveted aesthetics of the metal roof. Based upon project needs, X-Gard can be painted, powder coated, or anodized as chosen by the customer.

**Coming
Soon!**

The X-Gard™ Calculator!

Project design assistance is available for the X-Gard snow retention systems.

It is critical to design a solution that takes into account the effects of gravity on a snow-covered roof. The tested holding strength of X-Gard must be checked and proven against the actual “in-service” gravity loads of the roof. This important step in application engineering should not be omitted for any snow retention product.

Consult with your distributor or use our online calculator at www.S-5.com to help quickly and easily design each job. The calculator will help you “tailor” the X-Gard system on a project-specific basis, allowing for all the variables involved—and even provide a printout of the calculations and a material requirement list.

The X-Gard Calculator was developed using groundbreaking technology and is the first in the world of its kind utilized for snow retention. Just provide the calculator with project-specific information, and it will immediately produce:

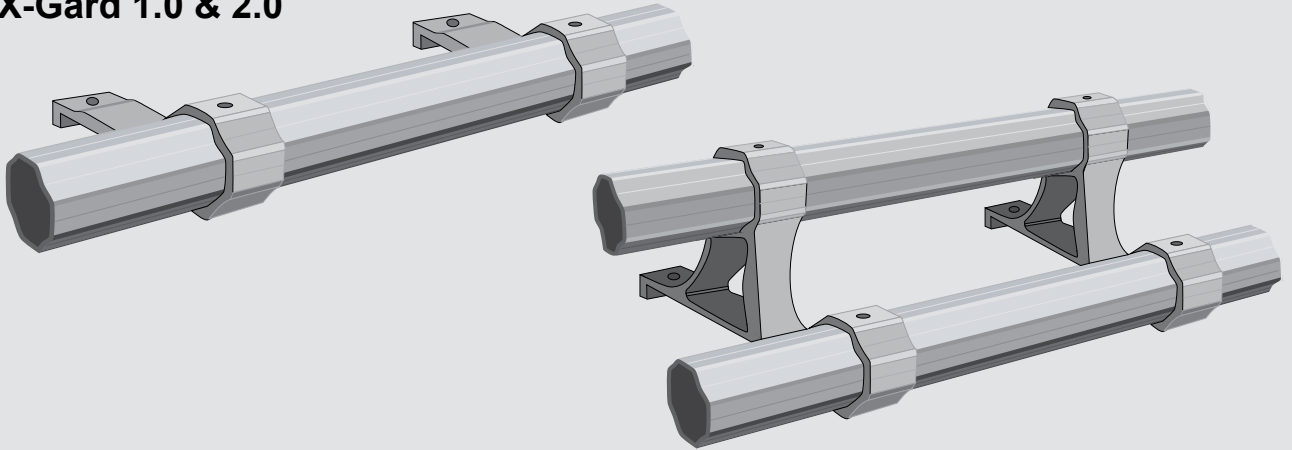
1. Printable/downloadable project specs
2. System configuration options

Inquire with your distribution partner for cost estimates for select configurations.

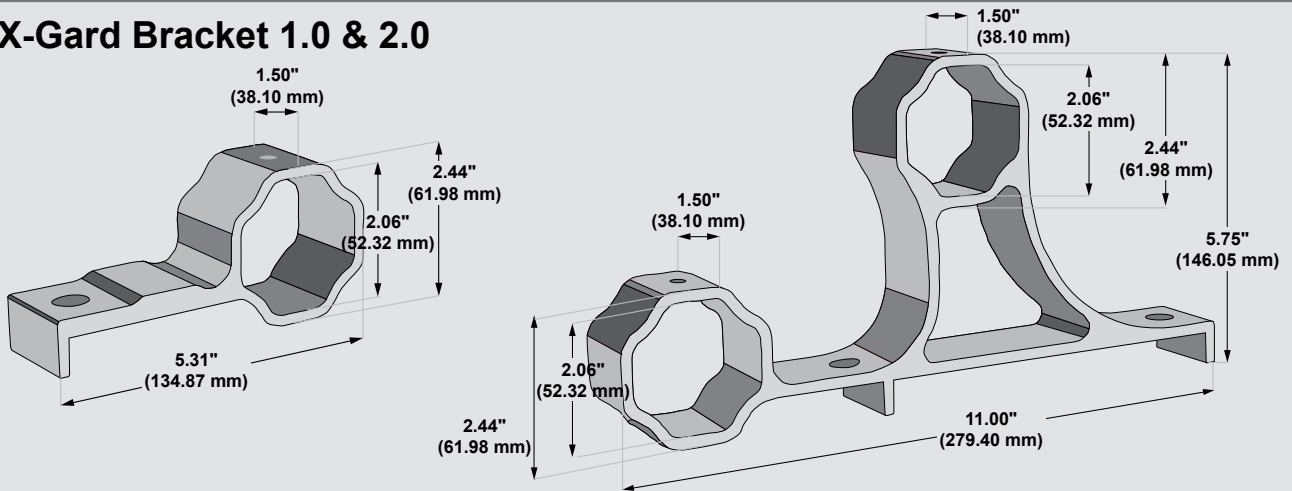
Once designed, X-Gard is easy to install, requiring tools that are common to the trade. Because S-5!® X-Gard uses mechanical attachment rather than adhesives, installation can be done any time of year, with no cleaning, no priming, no cure times, and no callbacks!

X-Gard™ Components

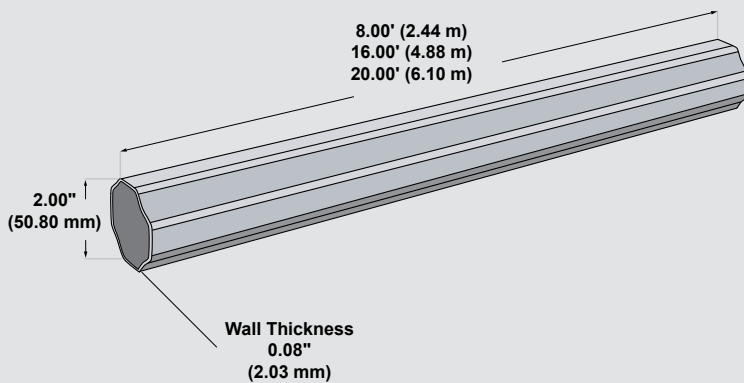
X-Gard 1.0 & 2.0



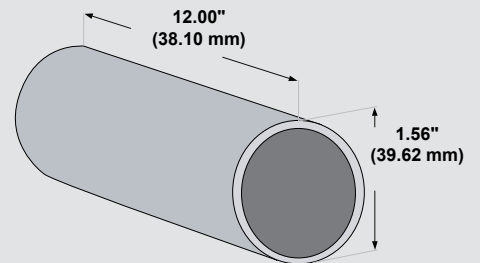
X-Gard Bracket 1.0 & 2.0



NEX® 2.0 Pipe



NEX® 2.0 Splice



S-5!® Warning! Please use this product responsibly!

Products are protected by multiple U.S. and foreign patents. Visit the website at www.S-5.com for complete information on patents and trademarks. For maximum holding strength, setscrews should be tensioned and re-tensioned as the seam material compresses. Clamp setscrew tension should be verified using a calibrated torque wrench between 160 and 180 inch pounds when used on 22ga steel, and between 130 and 150 inch pounds for all other metals and thinner gauges of steel. Consult the S-5! website at www.S-5.com for published data regarding holding strength.

Copyright 2015, Metal Roof Innovations, Ltd. S-5! products are patent protected. S-5! aggressively protects its patents, trademarks, and copyrights. Version 052115.

Distributed by



**DESIGN
COMPONENTS,
INC.**