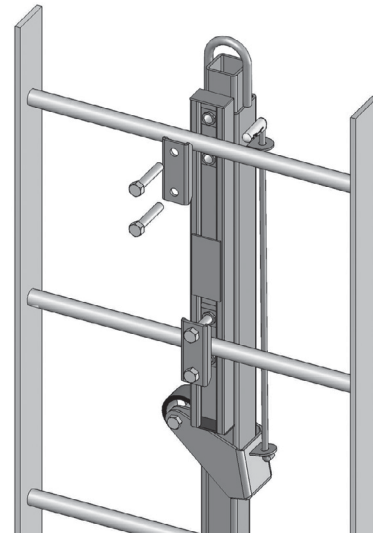




## LADDERUP® SAFETY POST



LadderUP Safety Posts provide easier, safer ladder access through roof hatches, floor access doors and manholes. This telescoping post permanently mounts to the top two rungs of any fixed ladder, providing a positive hand-hold and enabling the user to enter or exit an opening in an upright and balanced position.

### FEATURES & BENEFITS

- Adjustable mounting hardware accommodates virtually any ladder rung size or spacing
- Telescoping design is spring balanced for ease of operation
- Automatically locks in the fully raised position to provide the user with a firm and steady hand-hold for safer egress
- Handy release lever allows the LadderUP safety post to be easily lowered to its retracted position
- Available in four levels of corrosion resistance to provide many years of trouble free, dependable service

### FINISHES & WEIGHTS

MODEL#	MATERIAL/FINISH	WEIGHT	
		lbs.	kg.
LU-1	Steel, yellow powder coat	24	11
LU-2	Steel, hot dip galvanized	24	11
LU-3	Type 304 Stainless Steel, sand blast finish	24	11
LU-4	Aluminum, mill finish	14	7

