



SIGNATURE™ SERIES SKYLIGHT

PRISMATIC STYLE LENS



SPECIFICATIONS

CONSTRUCTION

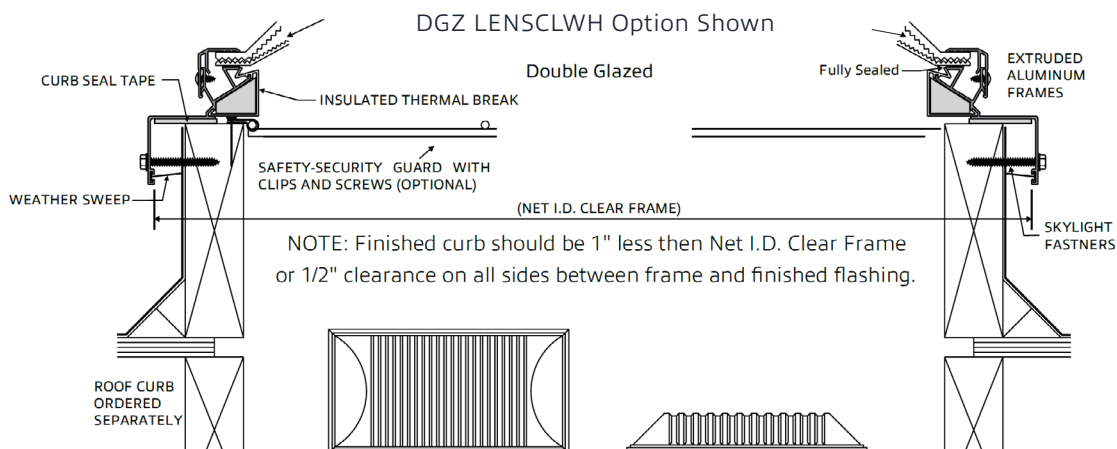
- Extruded aluminum, with natural mill finish
- Frames have integral condensation and weepage gutters which drain interior moisture to the outside
- FGIA Certified 800MD Frame Design
- Corners are mitered and welded
- Proprietary dome and prismatic-lens design
- Skylights glazed using 100%, Impact Modified CC2 Prismatic Acrylic and/or CC1 rated, Prismatic polycarbonate in a Signature Series Dome configuration
- FM Approved Skylights are Double glazed using CLEAR ARMOR® Clear Polycarbonate Prismatic over CLEAR ARMOR® High White Polycarbonate Prismatic lens, CC1/Class A Rated, FM Approved
- Pre-installed foam-curb gasket - comes standard with multi-glazed skylights
- Integrated curb weather sweep - comes standard with multi-glazed skylights

AVAILABLE CERTIFICATIONS

- FGIA Certified
- FM Approval # 4431
- FBC 2020 - FL14086-R4 HVHZ Approved
- High-Velocity Hurricane Zone (HVHZ) Approved, FBC 2020, FL14086-R4
- Miami-Dade County, Florida, NOA No. 21-0318.03, Expiration Date 05/20/2026
- NFRC Certified
- CE Certified
- Class 4 Hail Ratings Available



PRODUCT PROFILE:



ORDERING LOGIC

ID FRAME CALL-OUT

| | |
|-------------|--------------------|
| 4040 | 51-1/4" x 51-1/4" |
| 4060 | 51-1/4" x 75-1/4" |
| 4070 | 51-1/4" x 87-1/4" |
| 4080 | 52-1/4" x 100-1/4" |
| 5060 | 63-5/8" x 75-5/8" |
| 5558 | 67-3/4" x 70-3/4" |
| 5080 | 63-5/8" x 100-1/4" |

Make selection here:

ID FRAME WIDTH

| | |
|----------------|---------------------|
| W51.250 | Width 51.250 inches |
| W51.250 | Width 51.250 inches |
| W51.250 | Width 51.250 inches |
| W52.250 | Width 52.250 inches |
| W63.625 | Width 63.625 inches |
| W67.750 | Width 67.750 inches |
| W63.625 | Width 63.625 inches |

Make selection here:

ID FRAME LENGTH

| | |
|-----------------|-----------------------|
| L51.250 | Length 51.250 inches |
| L75.250 | Length 75.250 inches |
| L87.250 | Length 87.250 inches |
| L100.250 | Length 100.250 inches |
| L75.625 | Length 75.625 inches |
| L70.750 | Length 70.750 inches |
| L100.250 | Length 100.250 inches |

Make selection here:

GLAZING

SGZ Single Glaze
DGZ Double Glaze

Make selection here:

LENS MATERIAL

CC1 Polycarbonate
CC1CC2 Poly/Acrylic
CC1P125 1/8" Poly (Only available for skylights with a width of up to 52-1/4")

Make selection here:

UNIT TYPE

800MD Standard Frame
9005C So-Cal Skylight

Make selection here:

LENS COLOR

LENSWH White (Single Glaze Default) ¹
LENSCLWH Clear White (Double Glaze Default) ²

Make selection here:

OPTIONS

(blank) No Options
FMRTG Factory Mutual Approved
HVHZ High Velocity Hurricane Zone/
Miami Dade NOA***
ITBR Insulated thermal break ¹
NITBR No Insulated Thermal Break ^{2,3}
WSW Weather Sweep** ¹
NWSW No Weather Sweep ^{2,3}

Make selection here:

SKYLIGHT FRAME FINISH

MI Mill (Default)

Make selection here:

1) Single Glaze 2) Double Glaze

* mold fee may apply

** weather sweep available with Mill finish only

***Select CC1CC2 Lens material for HVHZ skylights
(includes: FL 14086-R4 & Miami-Dade County, Florida,
NOA No. 21-0318.03. Exp: 05/20/26).